

# SWIM SIDE®

SAFETY  
IN FULL TRANSPARENCY



Member of  
**SIMONSWERK  
GROUP**

# WHY INSTALL A GLASS POOL BARRIER ?

**Many local governments require the use of a pool fence of some type by law and experts recommend the use of a glass barrier as «the best way to protect young children from entering a pool area».**

**The transparency of a glass barrier** allows **greater visual surveillance** than other types of fencing without the need for additional alarms. **The use of tempered glass** creates a reliable guard that **can resist high amounts of impact force**.

An additional layer of protection can be gained by using laminated glass that will hold the panel in place should the glass fail in extreme circumstances.

**Using glass also allows you to enjoy a 360° view from inside your pool and allow natural light to shine through.**

**As for maintenance, it is almost non-existent since the materials used are anti-corrosion, durable and do not integrate any mechanical parts.** For example, roller shutters or alarms require regular and thorough maintenance and generally do not last more than a few years.

It is also possible to choose glass with more or less opacity to create a level of privacy if desired.

Many manufacturers also offer self-cleaning glass products.

**GLASS REMAINS THE MOST SUITABLE SOLUTION!**

**There are numerous federal, state and local laws regulating the safety of swimming pools, spas and hot tubs. It is imperative that you check with your federal, state and local governments to ensure compliance.**

# WHY CHOOSING OUR SWIMSIDE® RANGE ?

## First of all for our know-how in the field of glass barriers.

Our SABCO range, which now has more than 10 years of innovation, is one of the major systems in the glass railing market.

Our products are renowned for having the best quality/price/performance ratio!

## The performance of our SWIMSIDE products.

It's an essential point in the development of our glass barrier systems. They are tested by certified organizations to guarantee resistance and even more but remain compact!

## For its attractive price!

Contrary to what you might think, our systems are financially very interesting compared to other solutions.

For example, for a pool of 4 x 12 m, a SWIMSIDE barrier is not more expensive than a roller shutter with security and alarm.

## Your investment is long-lasting!

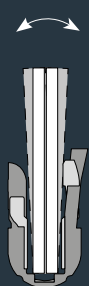
The materials we use as well as the quality of manufacture of our products make our system durable and not requiring any maintenance costs. As a result, your investment is lasting!

## As for the installation, it is still very simple!

Our patented wedges are easy to install and allow an adjustment of the glass level while tightening them.

Installation is easy and fast, with perfect glass alignment!

+ or -  
15 mm



## Protection is not only a concept for us, but also a commitment!

We favour short circuits.  
80% of our production is made in France and in Europe using recycled materials for recyclable products.



Packaging  
& product recyclable

How to install the pool protection barrier system ?



46-47

DISCOVER OUR  
PRODUCTS  
**SWIM**side®



SWIMSIDE **RAIL**



SADEV **INO**



SADEV **INO SQUARE**







# SWIMSIDE RAIL

Individual or collective use

**INSTALL IT FITS!  
READY TO ENJOY**



## THE ADVANTAGES OF OUR SABCO SYSTEM:

- Quick installation
- Adjustment of the glass plumb line during installation
- A slimmer design
- It helps keep pool water & surrounding area clean by creating a barrier from debris & wind.
- This product is available in several finishes and different colors upon request.
- We also offer an LED option that illuminates walkways after dark.



CORSICA

# PRIVATE VIL- LA

PRIVATE APPLICATION

**PROFILE 8050**

**Glass thickness:**  
8 > 12.76 mm



Ⓐ RAIL SWIMSIDE  
Ref. **0080RAIL50**

**TECHNICAL FEATURES**

<b>Length</b>	2 500 mm
<b>Width</b>	52 mm
<b>Profile height</b>	110 or 130 mm depending on the cladding.
<b>Materials</b>	Aluminum - anodized finish 1 mil
<b>Application type</b>	Pool protection barrier - private/public
<b>Mounting type</b>	Floor mounting
<b>Glass thickness</b>	8 to 12.76 mm

**Height of the glass**

The standard recommends that the minimum height between the top of the support point (foot-hold) and the top of the barrier (in this case the glass) should always be greater than or equal to 1100 mm. *(Information to be found on page 11).*

**Number of wedges**

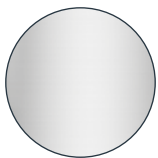
4 per meter

**Finishes**

Natural anodized aluminum, brushed stainless steel effect (on request), RAL (on request).

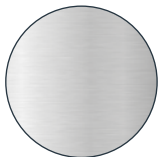
**Profile connection**

Every 400 mm (pre-drilled every 200 mm for easy installation and cutting of the rail).



**ALUMINUM**

Corrosion resistant.  
*(code : 01)*



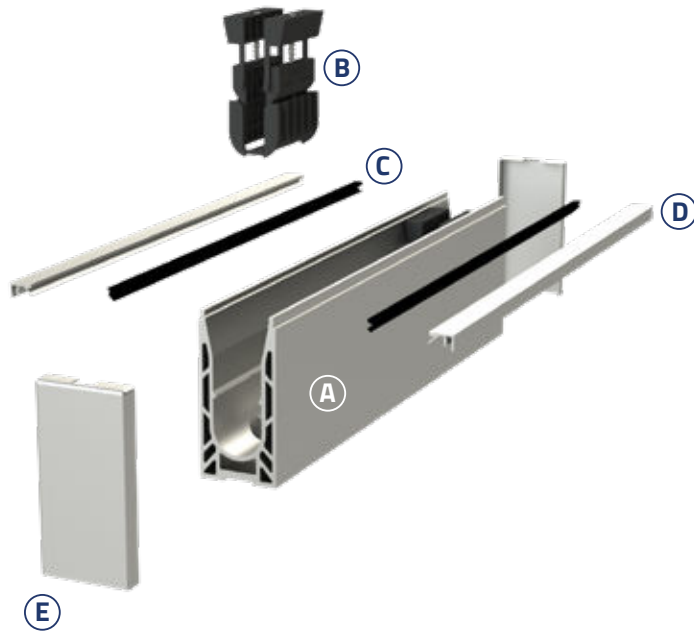
**BRUSH FINISH**

*High resistance to corrosion.*  
*(code : 02)*



**RAL FINISH**

*(code : 03)*



## B WEDGES



Ref. 0080KIT10CALE0404

Glasses : 4.4/2 or 8 mm  
Glass thickness : 8 > 8.76

Ref. 0080KIT10CALE0505

Glasses : 5.5/2 or 10 mm  
Glass thickness : 10 > 10.76

Ref. 0080KIT10CALE0606

Glasses : 6.6/2 or 12 mm  
Glass thickness : 12 > 12.76

## C SNAP-FIT GASKET



Ref. 0080JOINT0404

Glasses : 04.04

Ref. 0080JOINT0505

Glasses : 05.05

Ref. 0080JOINT0606

Glasses : 06.06

## D CLADDINGS

Length : 2 500 mm



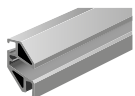
Ref. 0080CAPO252

Height : 10 mm



Ref. 0080CAPO250

Height : 30 mm



Ref. 0080CAPO260

Height : 30 mm  
(Led not included -  
Information  
on the next page)

## E END CAP



Ref. 0080CE52

(Cladding compatible  
0080CAPO252)



Ref. 0080CE50

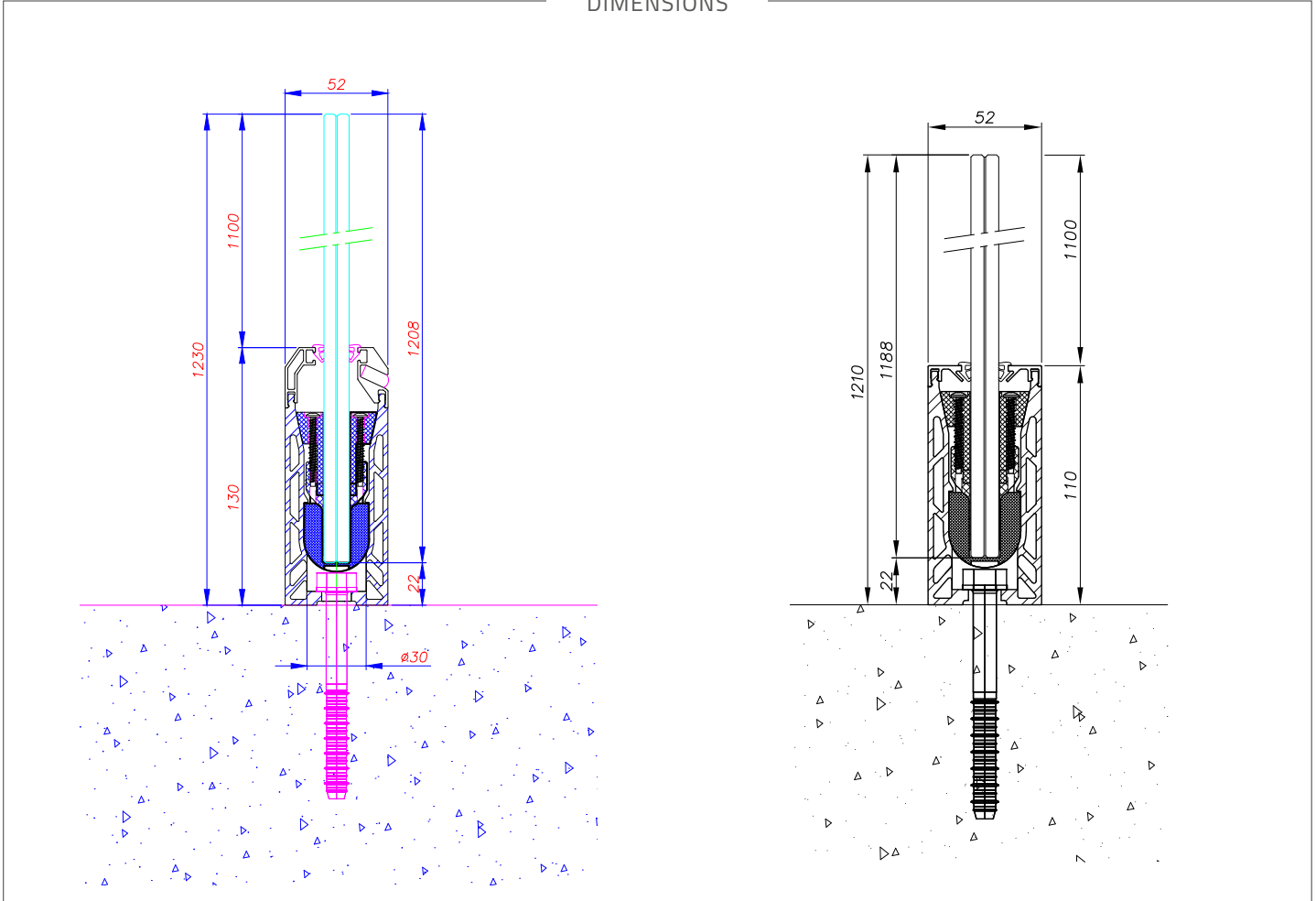
(Cladding compatible  
0080CAPO250)

(Cladding compatible  
0080CAPO260)

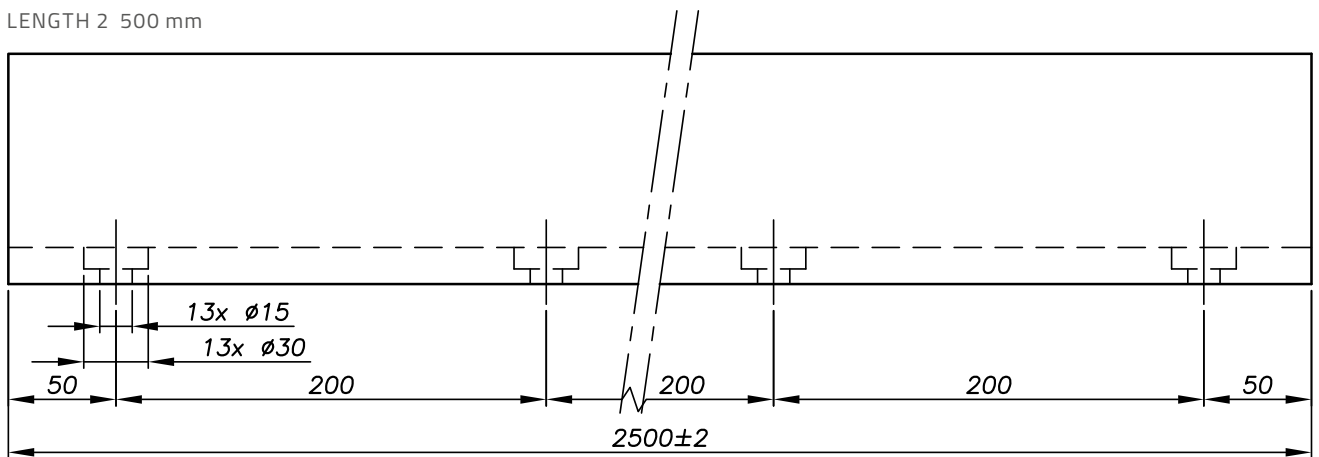
When ordering, please specify the finish you want on your product:  
e.g.: **0080RAIL50** with brush finish **02** = **02** = **0080RAIL50-02**.

TECHNICAL DRAWINGS

DIMENSIONS



LENGTH 2 500 mm







Give a new atmosphere  
to **your pool** with our  
**lighting solutions**

## OPTION LED CLADDING



### WHITE FLEXIBLE NEON

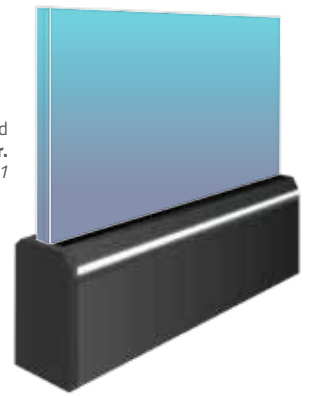
(Size : 6 x 12 mm)  
Length 5 m, 10 m et 15 m.

Ref. 007-FLEX-BLNT-5M

Ref. 007-FLEX-BLNT-10M

Ref. 007-FLEX-BLNT-15M

The neonflex headband  
is inserted into the cover.  
Ref. : 0080CAPO260-01



### POWER SUPPLY

Power supply AC 230V / DC 24V  
American standard compatible - 5 m

Ref. 007-ALIM230/24-60 60 W

Ref. 007-ALIM230/24-150 150 W



### PLUG

Silicone sealing plug

Ref. 007-FLEX-BCH-ALIM

Ref. 007-FLEX-BCH-FIN

Sold individually

## OPTION LED PROFILE

### LED RIBBON

9,6 W/m - 24V - 120 LED/m - l. 5 m



Ref. 007-LED-BLC-CHD-5M

Warm white



Ref. 007-LED-VERT-5M

Green



Ref. 007-LED-BLC-NTR-5M

Neutral white



Ref. 007-LED-BLEU-5M

Blue



Ref. 007-LED-BLC-FRD-5M

Cool white



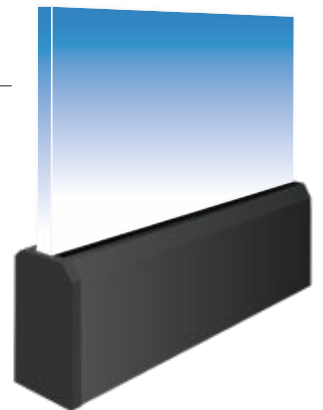
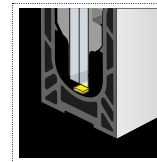
Ref. 007-LED-ROUGE-5M

Red



Ref. 007-LED-JAUNE-5M

Yellow



### POWER SUPPLY

Power supply AC 230V / DC 24V  
American standard compatible - 5 m

Ref. 007-ALIM230/24-60 60 W

Ref. 007-ALIM230/24-100 100 W

Ref. 007-ALIM230/24-150 150 W

Ref. 007-ALIM230/24-240 240 W

Ref. 007-ALIM230/24-300 300 W

### HOLDING WEDGE

LED ribbon holding wedge

Ref. 0070CALE-LED

Only for glazing 6.6





## SADEV INO®

Individual or collective use

### A UNIQUE DESIGN

It's design is both aesthetically pleasing and easy to install. It also has a cover that limits the pressure point effect to avoid going over the barrier (foot-hold).

---

### GLASS ADJUSTMENT DURING INSTALLATION

The INO is the only spigot on the market that offers such an easy adjustment during installation!

---

### HIGH PROTECTION AGAINST CORROSION

This product is covered with a stainless steel cover, which gives it better anti-corrosion performance.



SPAIN

# PRIVATE VIL- LÀ

PRIVATE APPLICATION

## SADEV INO

Glass thickness:  
11.8 > 21.9 mm





## PACK SADEV INO®

### TECHNICAL FEATURES

<b>Length (front view)</b>	72 mm
<b>Width (side view)</b>	95 mm max. depending on glass thickness
<b>Height</b>	211 mm
<b>Materials</b>	Cladding : Stainless steel 316 Support : Aluminum - anodized finish 1 mil
<b>Application type</b>	Pool protection barrier - private/public
<b>Mounting type</b>	Floor mounting
<b>Glass thickness</b>	11,8 > 21,9 mm

**Height of the glass**

The standard recommends that the minimum height between the top of the support point (foot-hold) and the top of the barrier (in this case the glass) should always be greater than or equal to 1100 mm. *(Information to be found on page 17-18).*

**Finishes**

Mirror polished stainless steel / Brushed stainless steel.

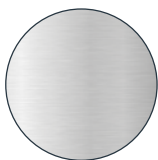
**Profile connection**

800 mm



#### INCLINED COVER

The shape of this cover avoids having a support point (foot-hold).



#### BRUSHED FINISH

High resistance against corrosion.  
*(code : 02)*



#### MIRROR POLISH FINISH

*(code : 04)*



**INSTALL IT FITS!  
READY TO ENJOY**

**Reduction of the installation time:**  
The INO keeps the installation advantages of our systems. With a level adjustment of the glass during installation.

+ or -  
15 mm

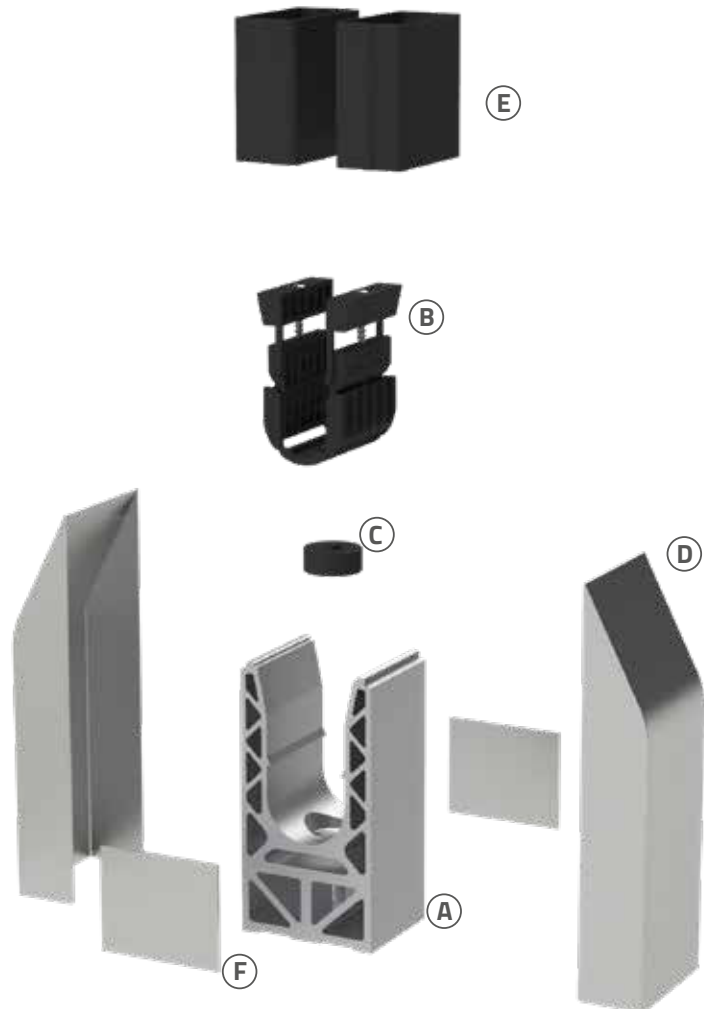


# PACK SADEV INO<sup>®</sup>

Each pack contains:

- Ⓐ an aluminium base
- Ⓑ a clamping wedge
- Ⓒ a plug
- Ⓓ 2 covers
- Ⓔ adhesive support
- Ⓕ 2 end caps

**Fastening** (*Anchor (not included)*)



Each pack corresponds to a specific glass thickness range

## PACK GLASS 6.6 or 12 mm

Glass thickness: 11.8 > 14.2 mm  
**Ref. : 0081INO111-0606**

## PACK GLASS 15 mm

Glass thickness: 13.6 > 16.3 mm  
**Ref. : 0081INO111-15**

## PACK GLASS 8.8

Glass thickness: 16.4 > 18.5 mm  
**Ref. : 0081INO111-0808**

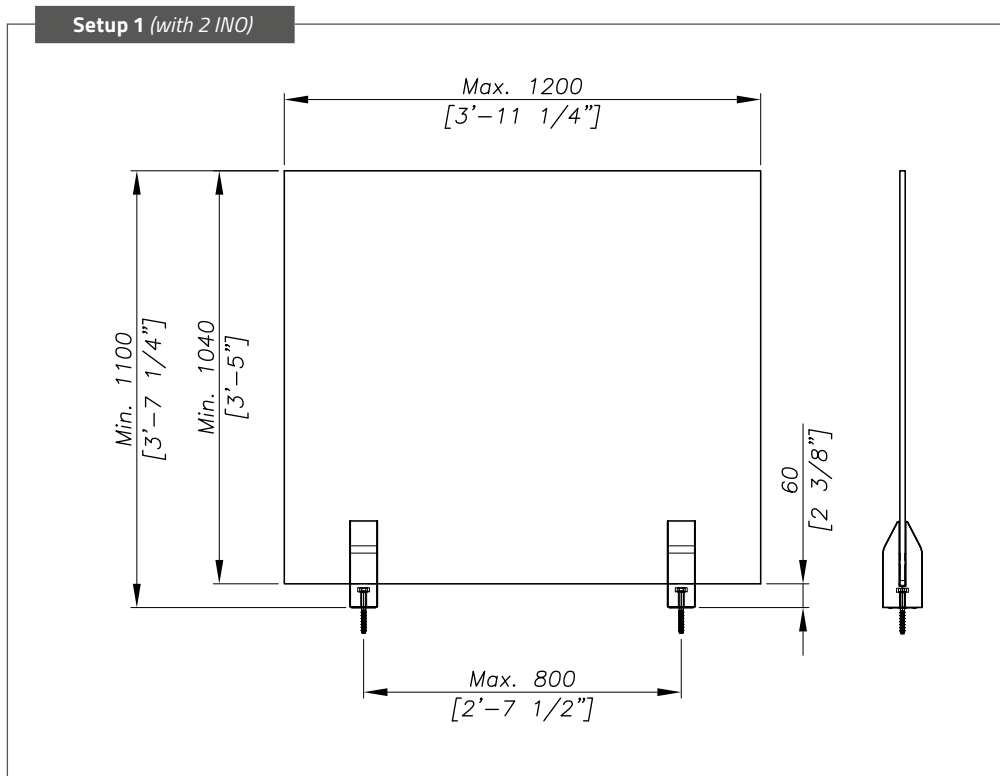
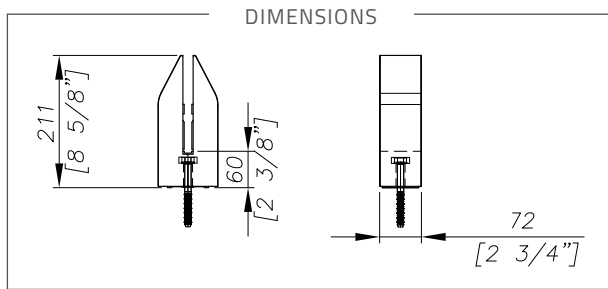
## PACK GLASS 10.10

Glass thickness: 19.5 > 21.9 mm  
**Re f. : 0081INO111-1010**

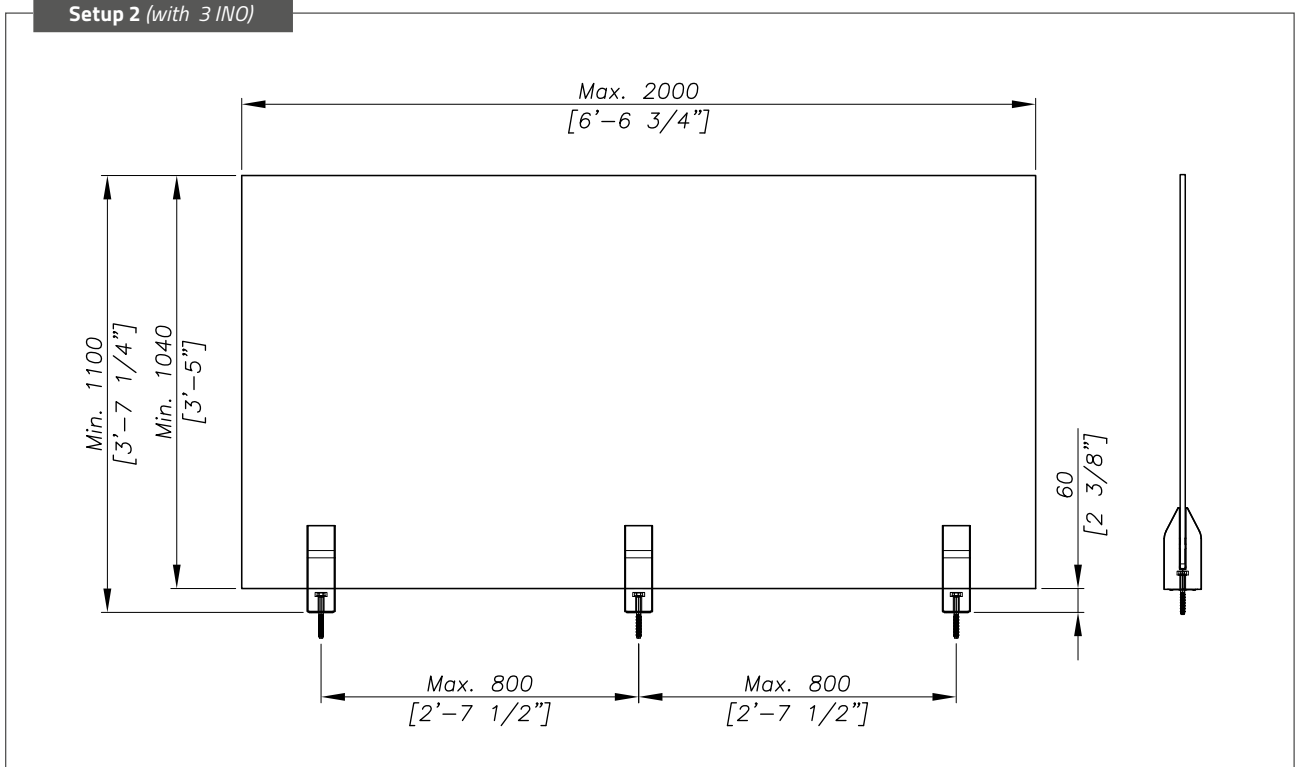
When ordering, please specify the finish you want on your product:

e.g.: kit **0081INO111-0606** with mirror polished stainless steel finish **04** = **0081INO111-0606-04**.

TECHNICAL DRAWINGS



**Setup 2 (with 3 INO)**





# SADEV INO<sup>®</sup> SQUARE

Individual or collective use

## A COMPACT DESIGN

It has been designed to be as compact as possible and is distinguished by its square design.

## GLASS ADJUSTMENT DURING INSTALLATION

Like the INO, the INO SQUARE is the only spigot on the market to offer such easy glass alignment during installation!

## PROTECTION AGAINST CORROSION

The aluminum used in this product has been selected for its anti-corrosion performance



CROATIA

# PRIVATE VILLA

PRIVATE APPLICATION



**SADEV  
INO SQUARE**

Glass thickness:  
11.8 > 21.9 mm

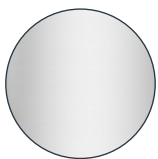




## PACK SADEV INO® SQUARE

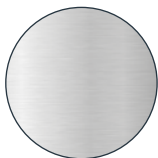
### TECHNICAL FEATURES

<b>Length (front view)</b>	72 mm
<b>Width (side view)</b>	95 mm max. depending on glass thickness
<b>Height</b>	146 mm
<b>Materials</b>	Cladding : Aluminium Support : Aluminium - Anodization 25 µm
<b>Application type</b>	Pool protection barrier - private/public
<b>Mounting type</b>	Floor mounting
<b>Glass thickness</b>	11,8 > 21,9 mm
<b>Height of the glass</b>	The standard recommends that the minimum height between the top of the support point (foot-hold) and the top of the barrier (in this case the glass) should always be greater than or equal to 1100 mm. <i>(Information to be found on page 23-24).</i>
<b>Finishes</b>	Natural anodized aluminum, brushed stainless steel effect (on request), RAL (on request).
<b>Profile connection</b>	800 mm



#### ALUMINUM

Corrosion resistant.  
*(code : 01)*



#### BRUSH FINISH

High resistance to corrosion.  
*(code : 02)*



#### RAL FINISH

*(code : 03)*



**INSTALL IT FITS!  
READY TO ENJOY**

**Reduction of the installation time:**  
The INO keeps the installation advantages of our systems. With a level adjustment of the glass during installation.

+ or -  
15 mm

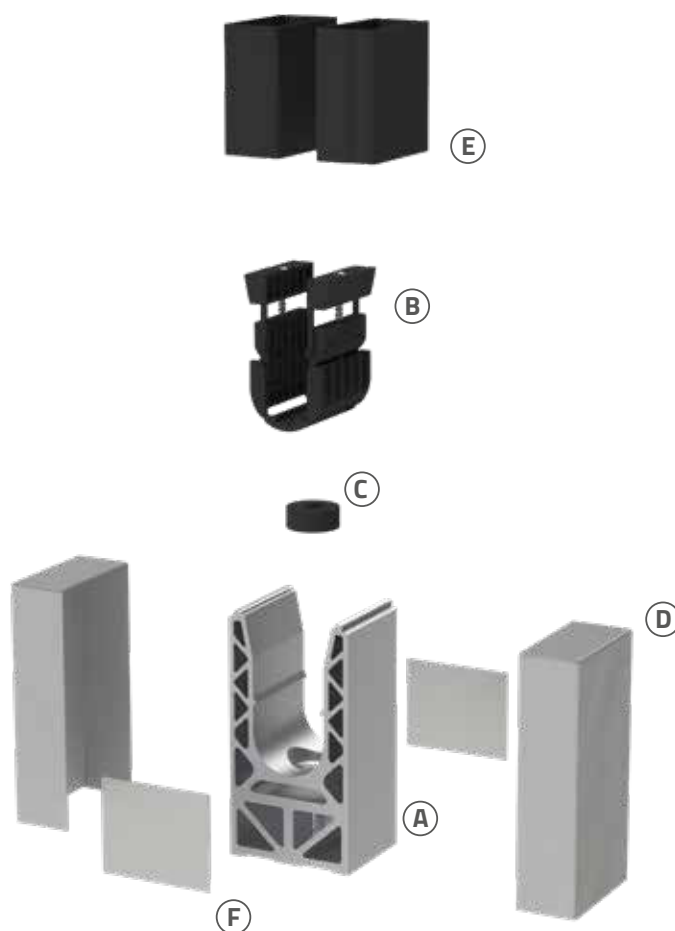


# PACK SADEV INO<sup>®</sup> SQUARE

Each pack contains:

- Ⓐ an aluminium base
- Ⓑ a clamping wedge
- Ⓒ a plug
- Ⓓ 2 covers
- Ⓔ adhesive support
- Ⓕ 2 end caps

**Fastening** (*Anchor (not included)*)



Each pack corresponds to a specific glass thickness range

## PACK GLASS 6.6 or 12 mm

Glass thickness: 11.8 > 14.2 mm  
Ref. : 0081INO500-0606

## PACK GLASS 15 mm

Glass thickness: 13.6 > 16.3 mm  
Ref. : 0081INO500-15

## PACK GLASS 8.8

Glass thickness: 16.4 > 18.5 mm  
Ref. : 0081INO500-0808

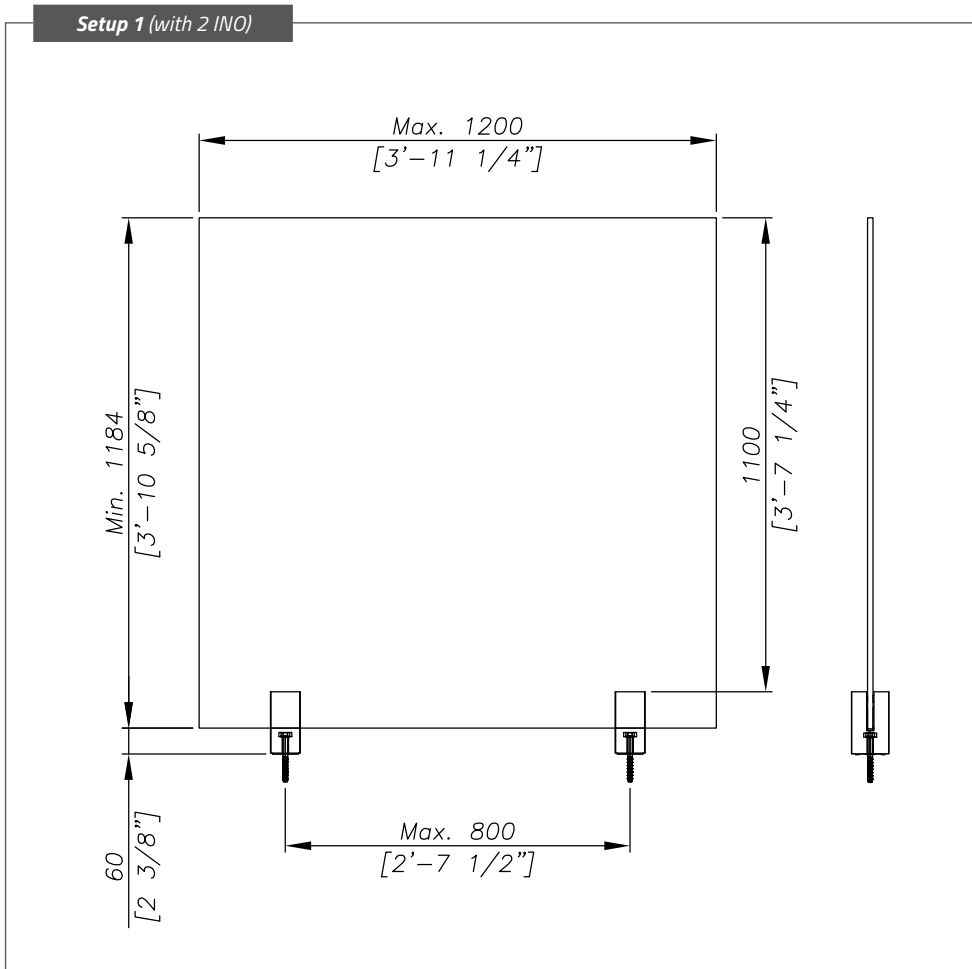
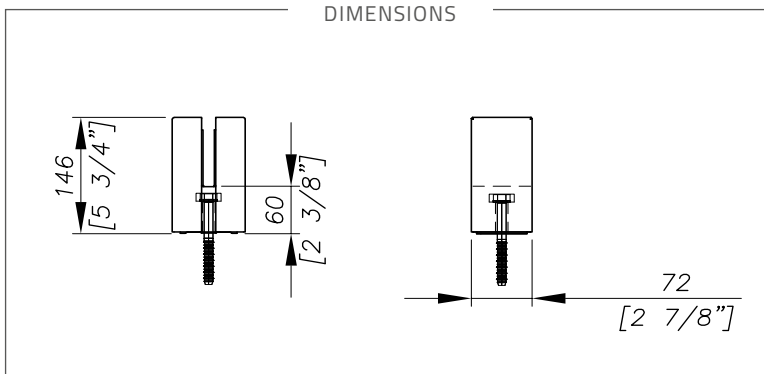
## PACK GLASS 10.10

Glass thickness: 19.5 > 21.9 mm  
Re f. : 0081INO500-1010

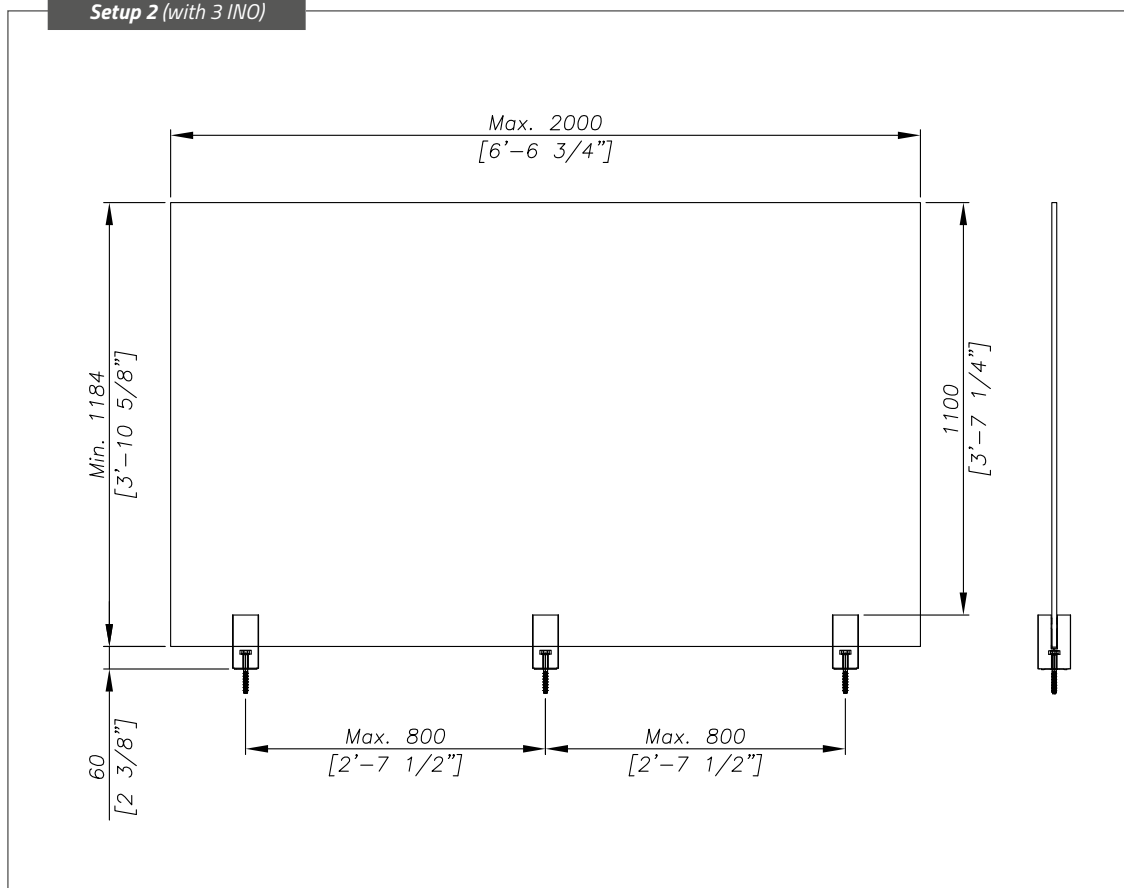
When ordering, please specify the finish you want on your product:

e.g.: kit **0081INO500-0606** with Natural anodized aluminum finish **01** = **0081INO500-0606-01**.

TECHNICAL DRAWINGS



**Setup 2 (with 3 INO)**



accessory for rail 8050

## ALIGNMENT PINS FOR PROFILE

Used to align the profiles and ensure the desired performance of the system.



Ref. 007PIN-06-50



accessory for rail 8050

## SPACERS

Spacers for use between glass panels - thickness 5 mm - Black plastic Fixing: to be glued



Ref. 0080ESPAC0404

Glass: 04.04

Ref. 0080ESPAC0505

Glass: 05.05

Ref. 0080ESPAC0606

Glass: 06.06

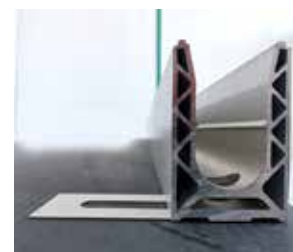


## U SHIMS

It you to level the profile when the surface of the support is uneven.



Ref. on request



## LEVELING TOOL

It allows you to upgrade the profile.



Ref. 007-OUTNIV

Sold in sets of 2

The tool is compatible with **INO** and **INO SQUARE**.



## SCREWDRIVER & BIT

The torque screwdriver is a precision tool with torque values from 0.4 to 2 Nm.

Ref. 008-TRVS-1.4NM

Torque screwdriver (handle + bit)



Float glass



## CLEANING KIT

Ref. 70UT-KITNET01

- Aluminium and stainless steel degreasing spray - 400 ml
- Microfibre cloth 300 x 500 mm



## FIXINGS

### CONCRETE SCREW

*Very high performance for permanent fixings in concrete.*



Ref. 09FIX-VBAZ-10

Concrete screw 10x90  
Zinc-plated steel  
50 pieces



Ref. 09FIX-VBAZ-12

Concrete screw 12x110  
Zinc-plated steel  
50 pieces



Ref. 09FIX-VBA4-10

Concrete screw 10x90  
Stainless steel A4  
50 pieces



Ref. 09FIX-VBA4-12

Concrete screw 12x110  
Stainless steel A4  
20 pieces

### DOWELS

*High performance - Galvanised steel and A4 stainless steel*



Ref. 09FIX-CDAZ-10

Socket dowel 10 x 70  
Zinc plated steel  
50 pieces



Ref. 09FIX-CDAZ-12

Socket dowel 12 x 90  
Zinc plated steel  
50 pieces



Ref. 09FIX-CDA4-10

Socket dowel 10 x 70  
Stainless steel A4  
50 pieces



Ref. 09FIX-CDA4-12

Socket dowel 12 x 90  
Stainless steel A4  
50 pieces

### ANCHOR BOLT

*For high demand. Heavy loads can be fixed in cracked concrete.*



Ref. 09FIX-GAAZ-10

Anchor bolt 10 x 95  
Galvanised steel  
50 pieces



Ref. 09FIX-GAAZ-12

Anchor bolt 12 x 110  
Galvanised steel  
50 pieces



Ref. 09FIX-GAA4-10

Anchor bolt 10 x 95  
Stainless steel A4  
50 pieces



Ref. 09FIX-GAA4-12

Anchor bolt 12 x 110  
Stainless steel A4  
50 pieces

## ACCESSORIES FOR FIXING

### CHEMICAL SEALANT KIT



Ref. 09FIX-SCAZ-10

Resin cartridge - chemical sealant M10 dowel galvanised steel  
Hexagon head screw M10x30 - Steel Washer Int. Ø10 - Ext. Ø 22 - Ht 02 - Steel



Ref. 09FIX-SCA4-10

Resin cartridge - chemical sealant M10 dowel A4 stainless steel  
Hexagon head screw M10x30 - Stainless steel A4 Washer - Int. Ø10 - Ext. Ø 22 - Ht 02 Stainless steel A4

Ref. 09FIX-SCAZ-12

Resin cartridge - chemical sealant M12 dowel galvanised steel  
Hexagon head screw M12x30 - Steel Washer - Int. Ø12 - Ext. Ø 27 - Ht 02.5 - Steel

Ref. 09FIX-SCA4-12

Resin cartridge - chemical sealant M12 dowel A4 stainless steel  
Hexagon head screw M12x30 - A4 stainless steel Washer - Int. Ø12 - Ext. Ø 27 - Ht 02.5 Stainless steel A4



Ref. 09ACC-FIX-PI-SC

Manual chemical sealant gun



Ref. 09ACC-SOUF

Blow pump cleaning tool for drilling



Ref. 09ACC-ECOUV10

Concrete swab - Ø10

Ref. 09ACC-ECOUV12

Concrete swab - Ø10 - Ø12

Ref. 09ACC-ECOUV16/18

Concrete swab - Ø10 - Ø16 - Ø18



# OUR SWIMMING POOL GATE SOLUTIONS

Individual or collective use

**OPENED AND CLOSED  
10,000 TIMES (TESTED CYCLES)**

---

**RESISTANT TO TEMPERATURES**

---

**ADJUSTABLE CLOSING SPEED**







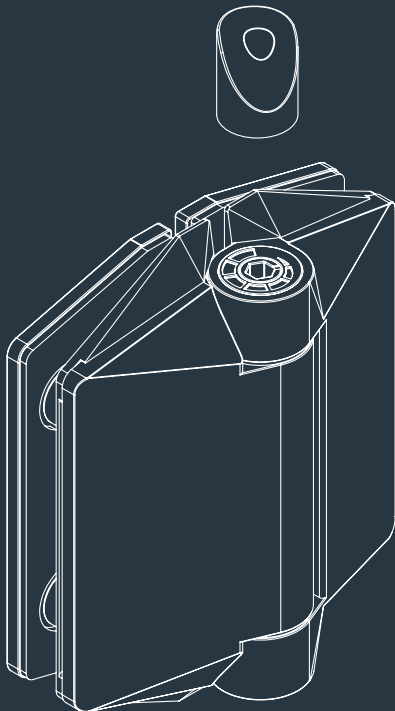
**SECURITY DOOR HINGE** AUTOMATICALLY  
CLOSES FOR SWIMMING POOLS  
**GLASS TO GLASS**  
Ref. **125GS**

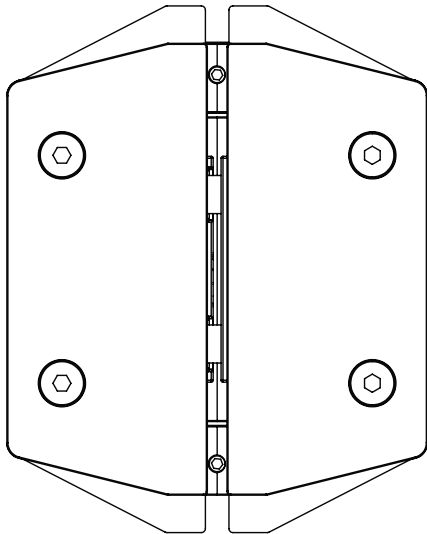
**PACK OF TWO HINGES**

**TECHNICAL FEATURES**

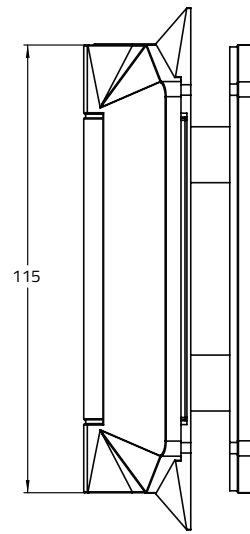
<b>Width</b>	107 mm
<b>Height</b>	134 mm
<b>Max. opening</b>	90°
<b>Materials</b>	Duplex stainless steel
<b>Application type</b>	Pool protection barrier - private/public
<b>Glass thickness</b>	10 > 10,76 mm [5.5.2 / 10] 12 > 12,76 mm [6.6.2 / 12]
<b>Width of the glass.</b>	900 mm
<b>Height of the glass.</b>	1 500 mm
<b>Max. weight</b>	45 kg
<b>Finishes</b>	Brushed stainless steel

- ▶ To be used with a security latch/catch bolt children proof
- ▶ Opened and closed 25 000 times (Tested 10 000 cycles)
- ▶ Resistant to temperatures from 14°F to 120°F
- ▶ Closing speed control (soft close system)

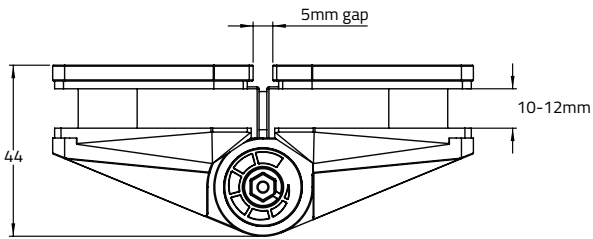




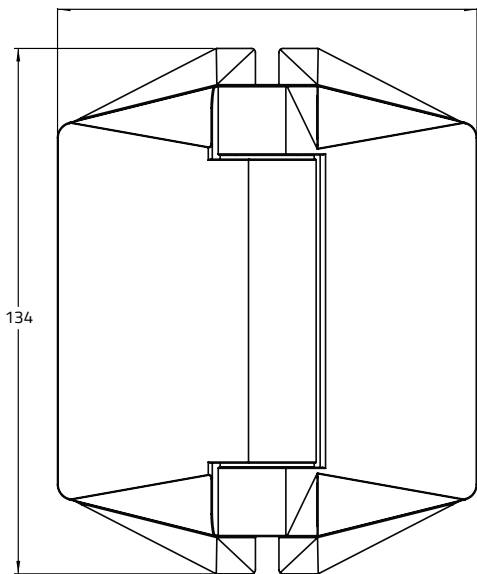
Back view



Side view

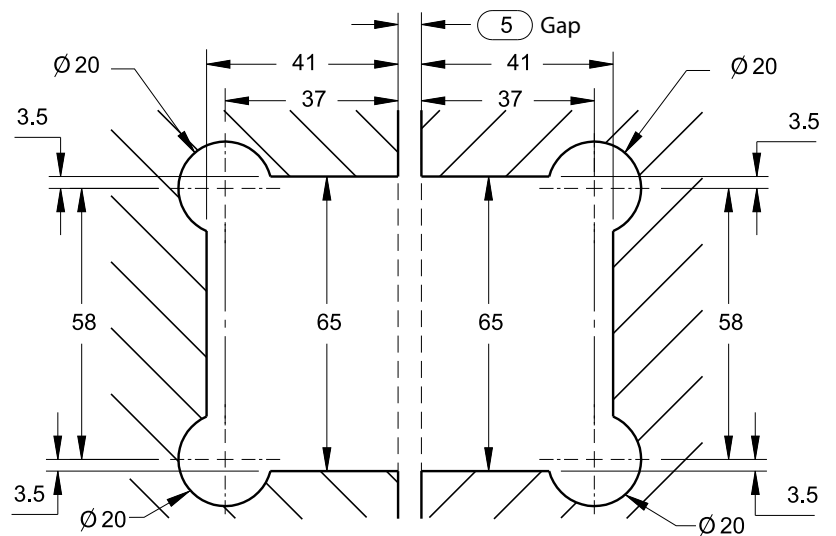


Top view



Front view

**PREPARATION OF THE GLASS**



CUTTING THE GLASS AT THE TOP AND BOTTOM  
(all dimensions are in mm)

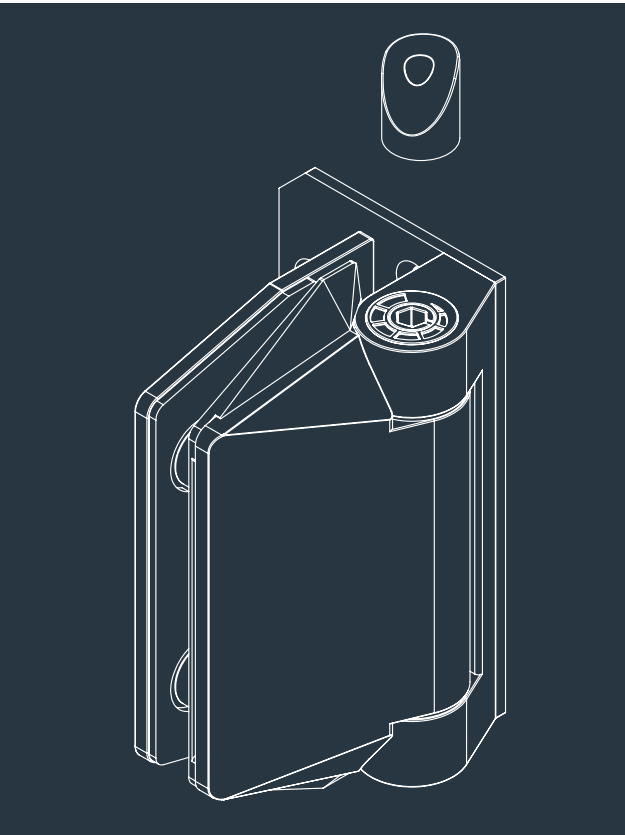


**SECURITY DOOR HINGE** AUTOMATICALLY  
CLOSES FOR SWIMMING POOLS  
**GLASS TO WALL**  
Ref. **125WS**

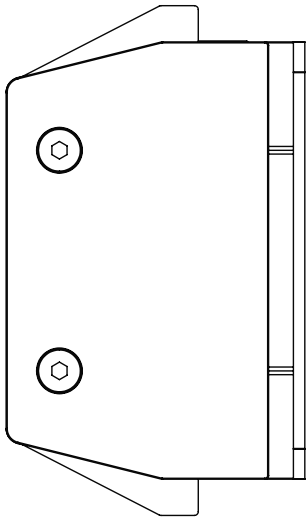
**PACK OF TWO HINGE**

**TECHNICAL FEATURES**

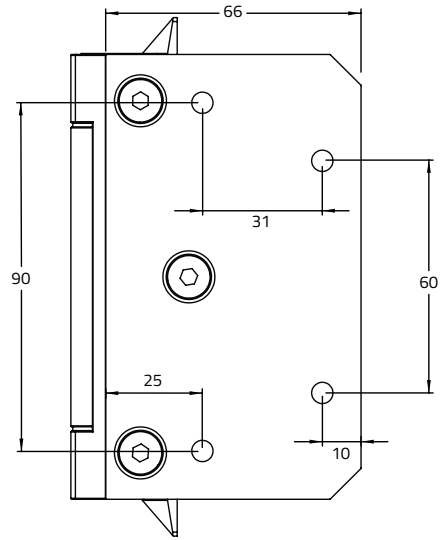
<b>Width</b>	75 mm
<b>Height</b>	134 mm
<b>Max. opening</b>	90°
<b>Materials</b>	Duplex stainless steel
<b>Application type</b>	Pool protection barrier - private/public
<b>Glass thickness</b>	10 > 10,76 mm [5.5.2 / 10] 12 > 12,76 mm [6.6.2 / 12]
<b>Width of the glass.</b>	900 mm
<b>Height of the glass.</b>	1 500 mm
<b>Max. weight</b>	45 kg
<b>Finishes</b>	Brushed stainless steel



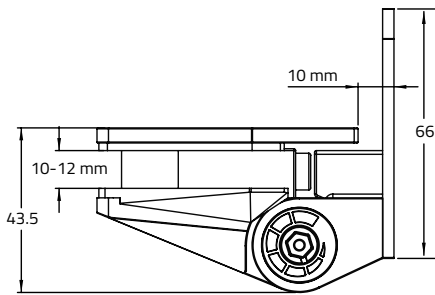
- ▶ To be used with a security latch/catch bolt children proof
- ▶ Opened and closed 25 000 times (Tested 10 000 cycles)
- ▶ Resistant to temperatures from 14°F to 120°F
- ▶ Closing speed control (soft close system)



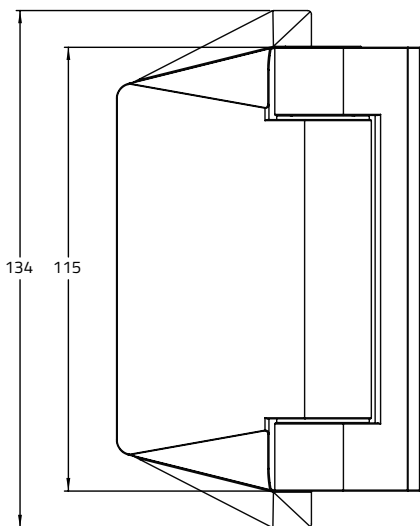
Back view



Side view

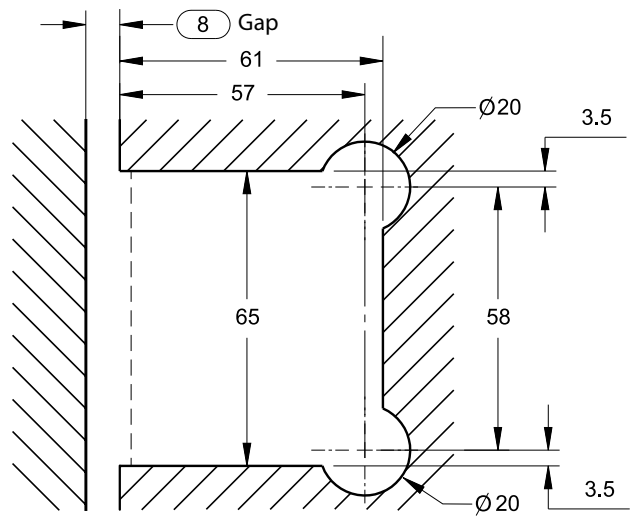


Top view



Front view

**PREPARATION OF THE GLASS**



CUTTING THE GLASS AT THE TOP AND BOTTOM  
(all dimensions are in mm)



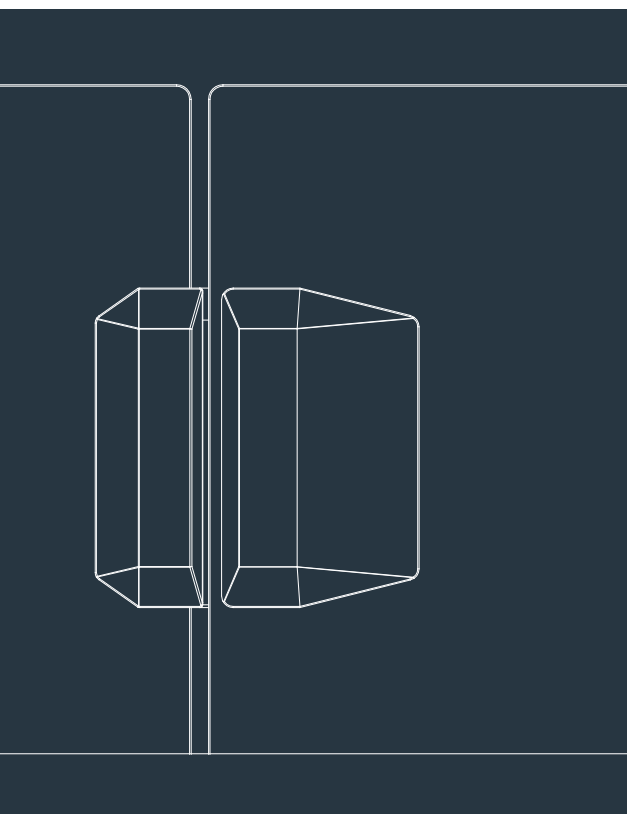
SECURITY LOCK FOR POOL GATE OF 180°  
**GLASS TO GLASS**  
Ref. **600GS**

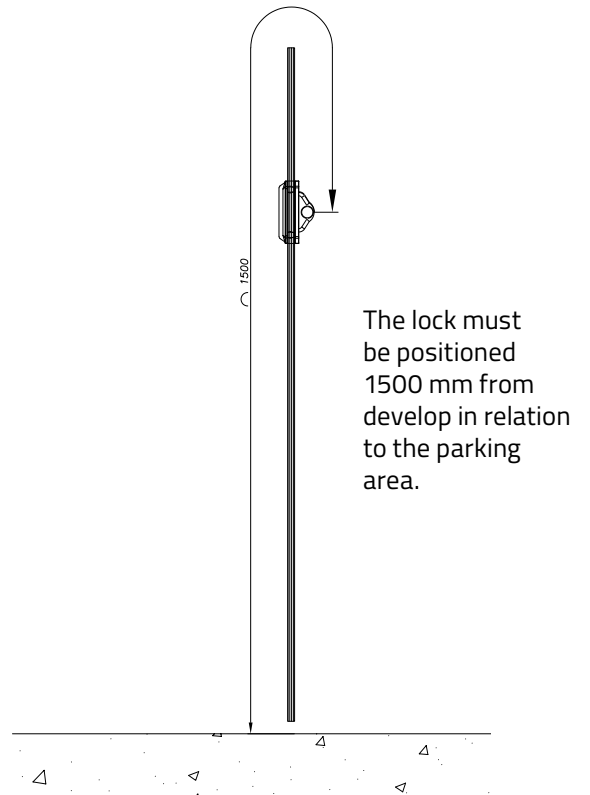
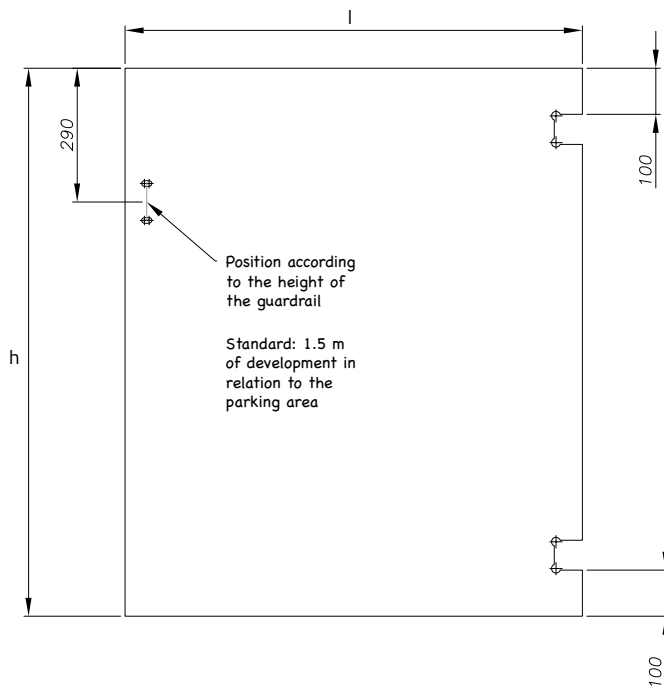
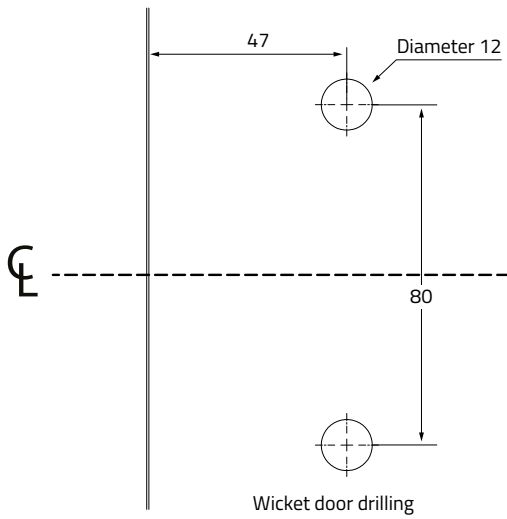
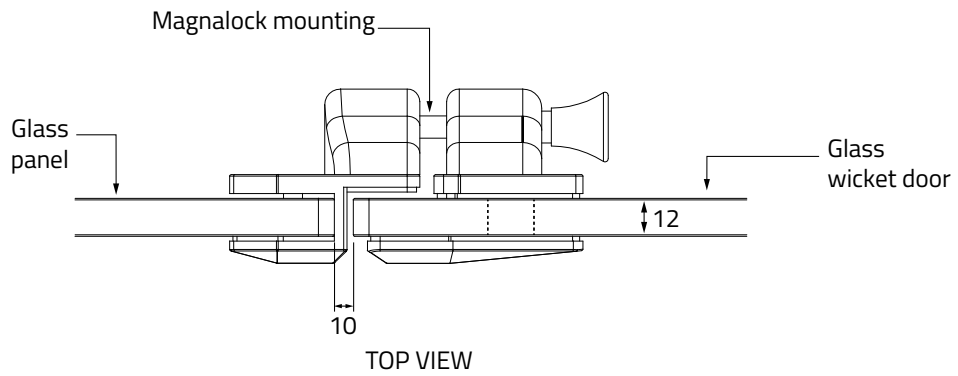
**KIT OF 1 LOCK + SELF-LOCKING DEVICE**

**TECHNICAL FEATURES**

---

<b>Max. opening</b>	180°
<b>Materials</b>	Stainless steel
<b>Application type</b>	Pool protection barrier - private/public
<b>Pulling force</b>	20 N
<b>Finishes</b>	Brushed stainless steel





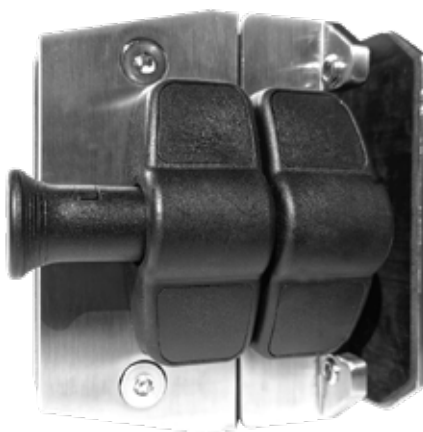
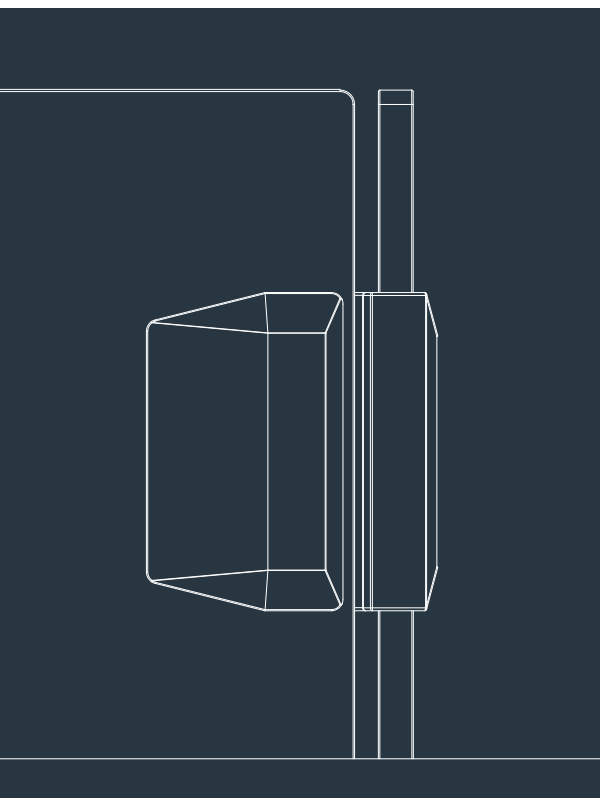


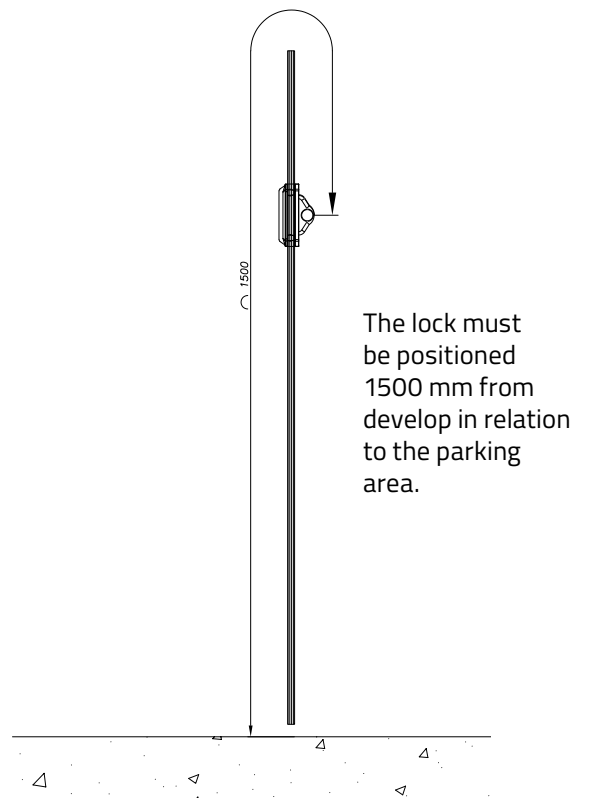
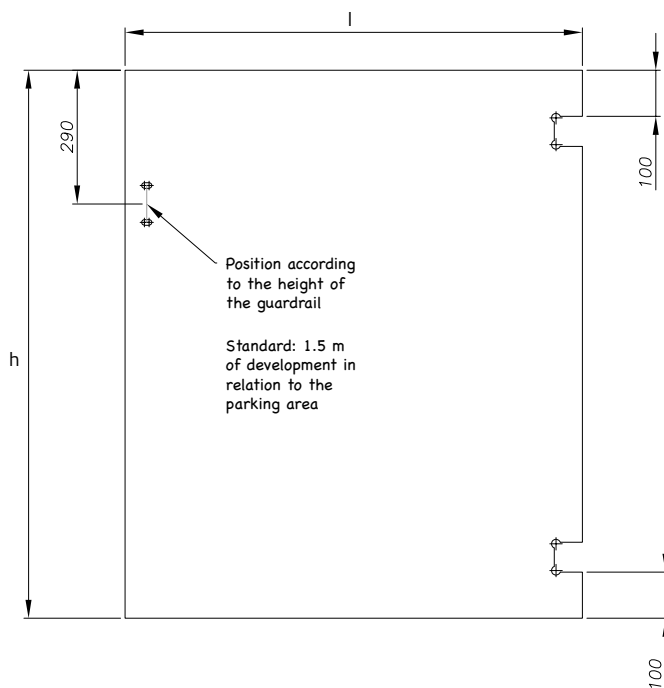
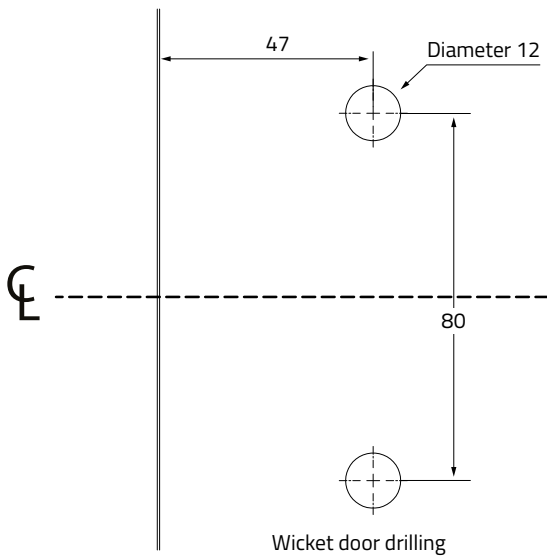
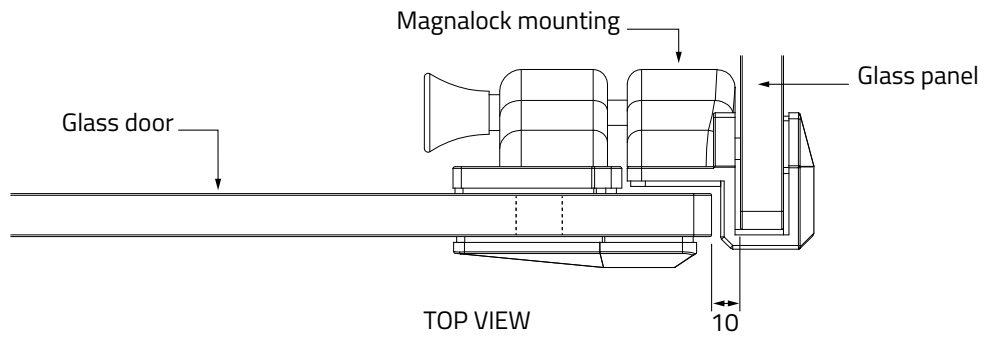
SECURITY LOCK FOR 90° GATE  
GLASS GLASS  
Ref. **600G90S**

KIT OF 1 LOCK + SELF-LOCKING DEVICE

TECHNICAL FEATURES

<b>Max. opening</b>	90°
<b>Materials</b>	Stainless steel
<b>Application type</b>	Pool protection barrier - private/public
<b>Pulling force</b>	20 N
<b>Finishes</b>	Brushed stainless steel





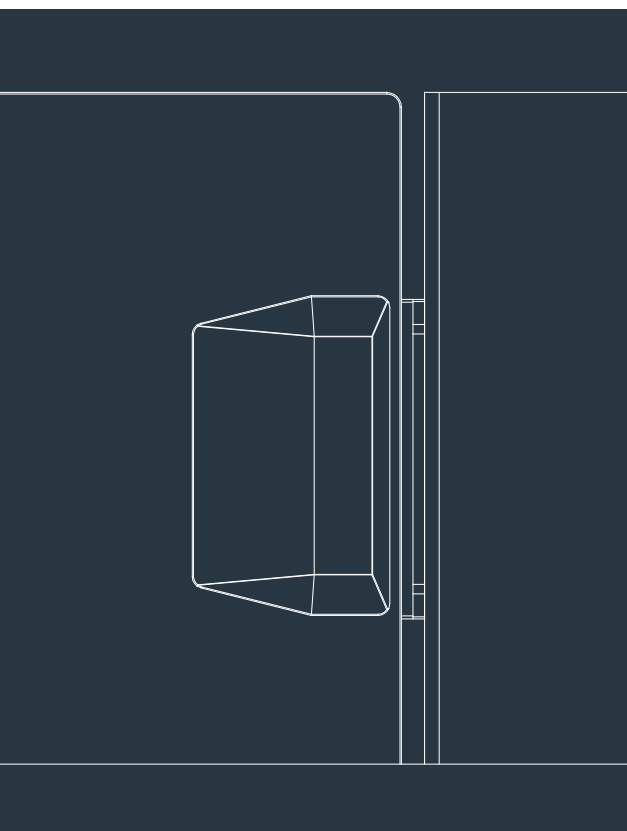


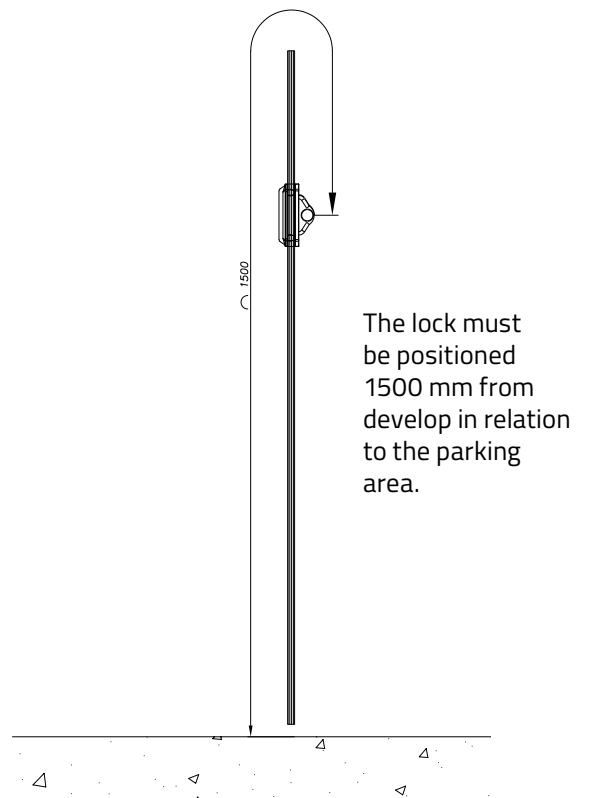
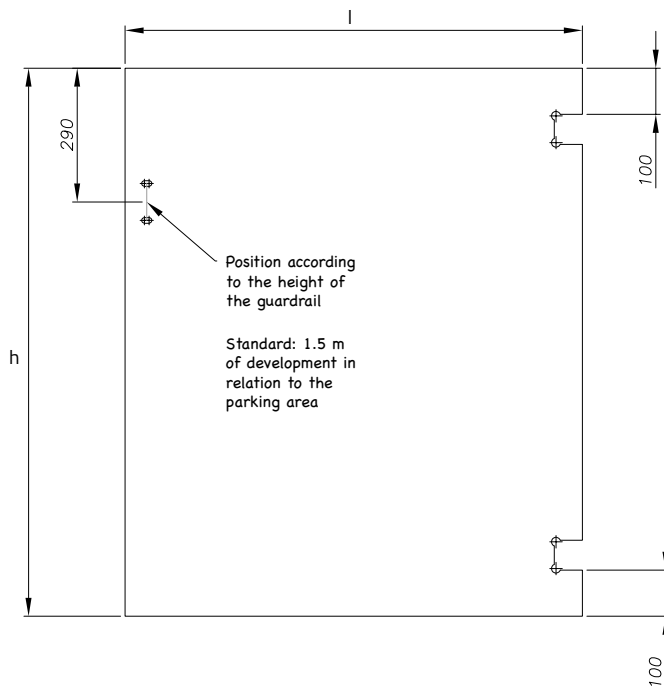
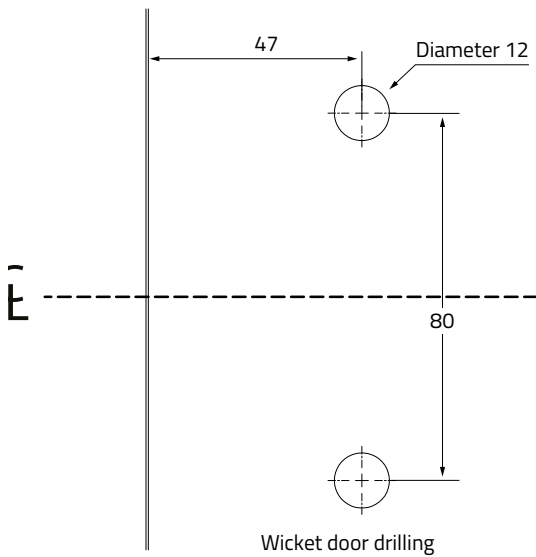
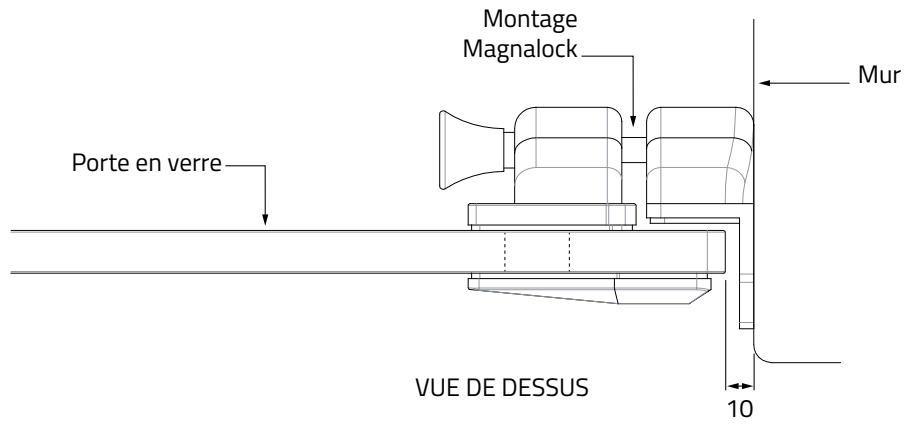
SECURITY LOCK FOR GATE  
GLASS WALL  
Ref. **600WS**

KIT OF 1 LOCK + SELF-LOCKING DEVICE

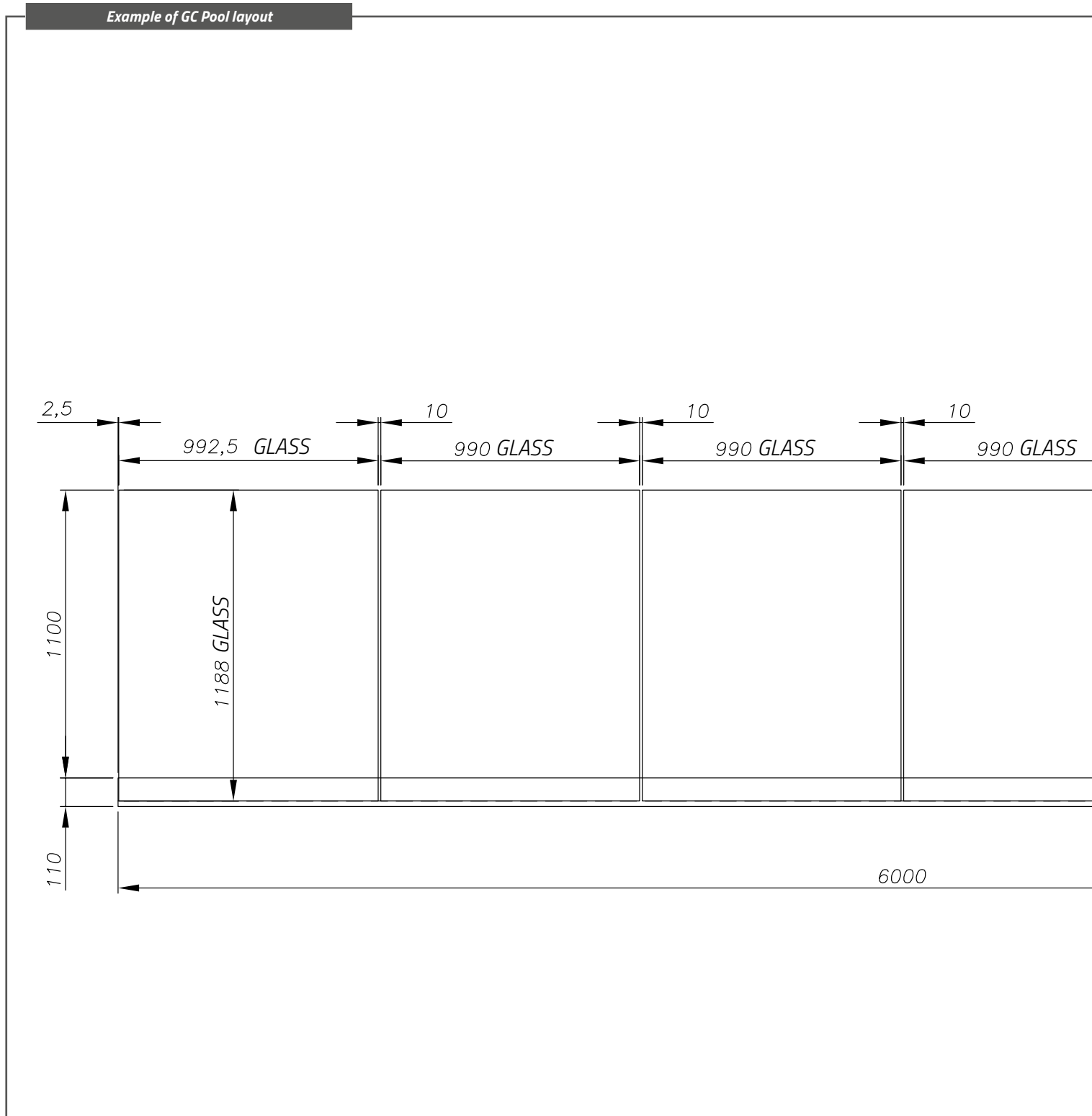
TECHNICAL FEATURES

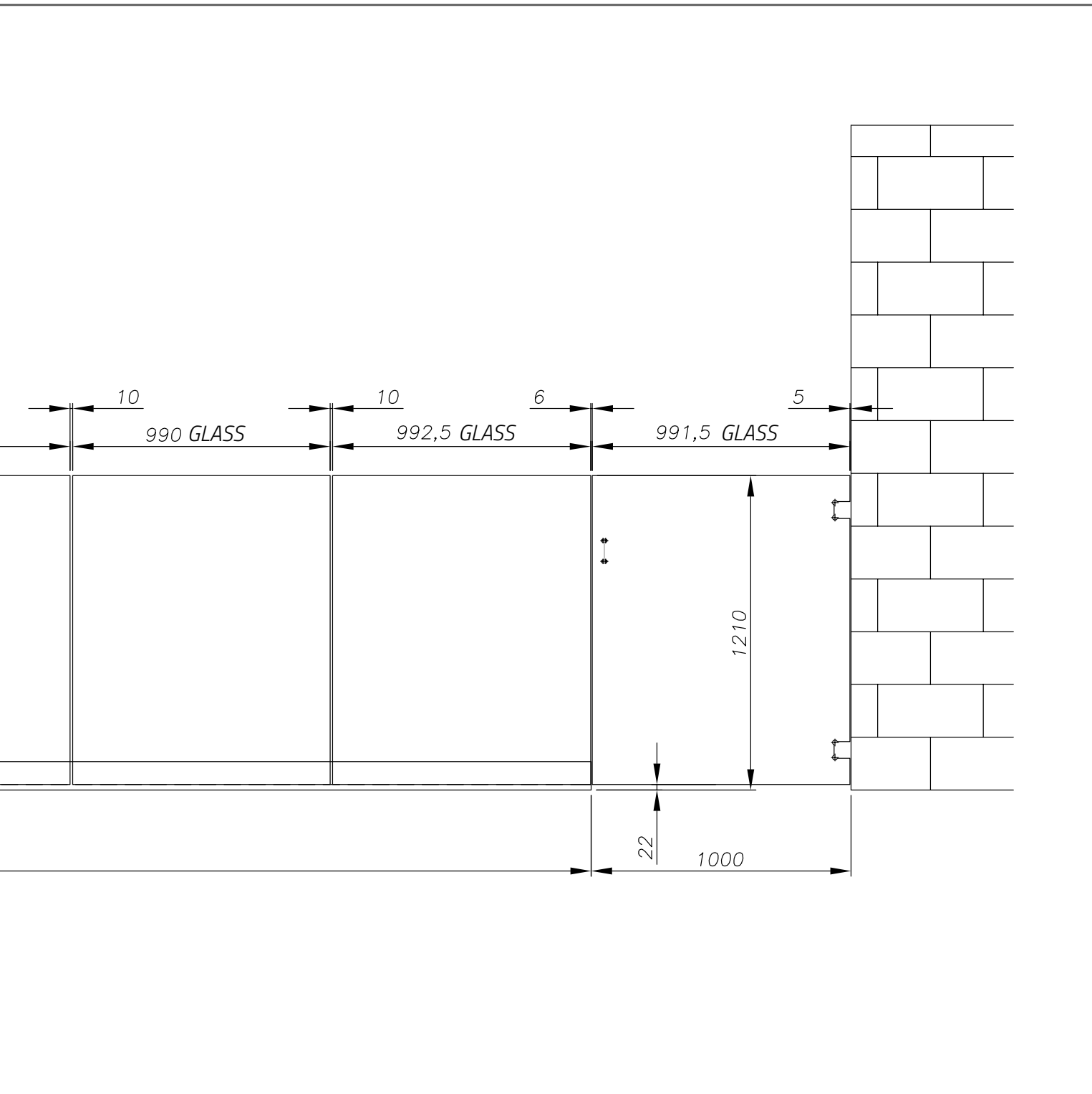
<b>Max. opening</b>	90°
<b>Materials</b>	Stainless steel
<b>Application type</b>	Pool protection barrier - private/public
<b>Pulling force</b>	20 N
<b>Finishes</b>	Brushed stainless steel





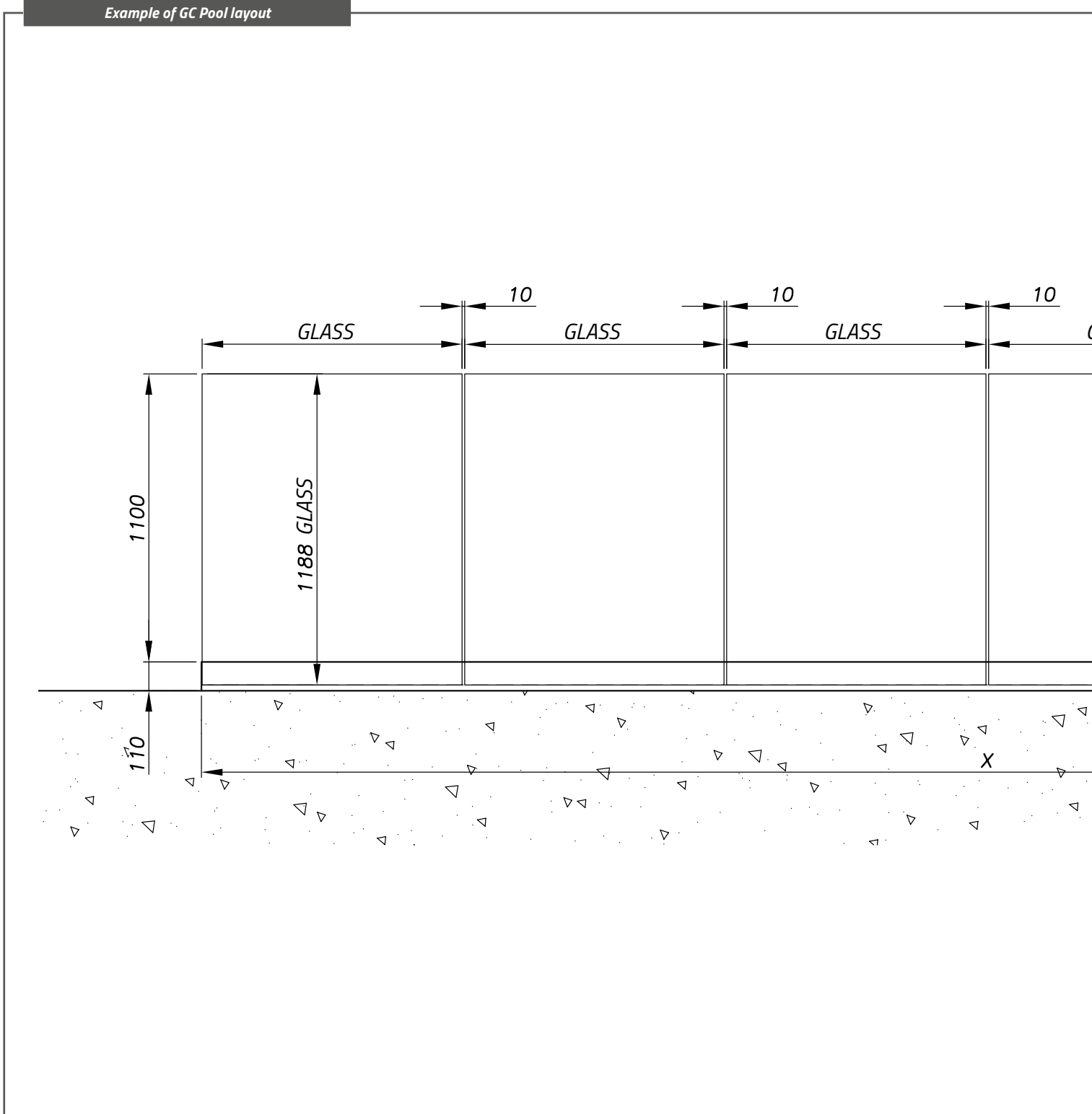
TECHNICAL DRAWINGS

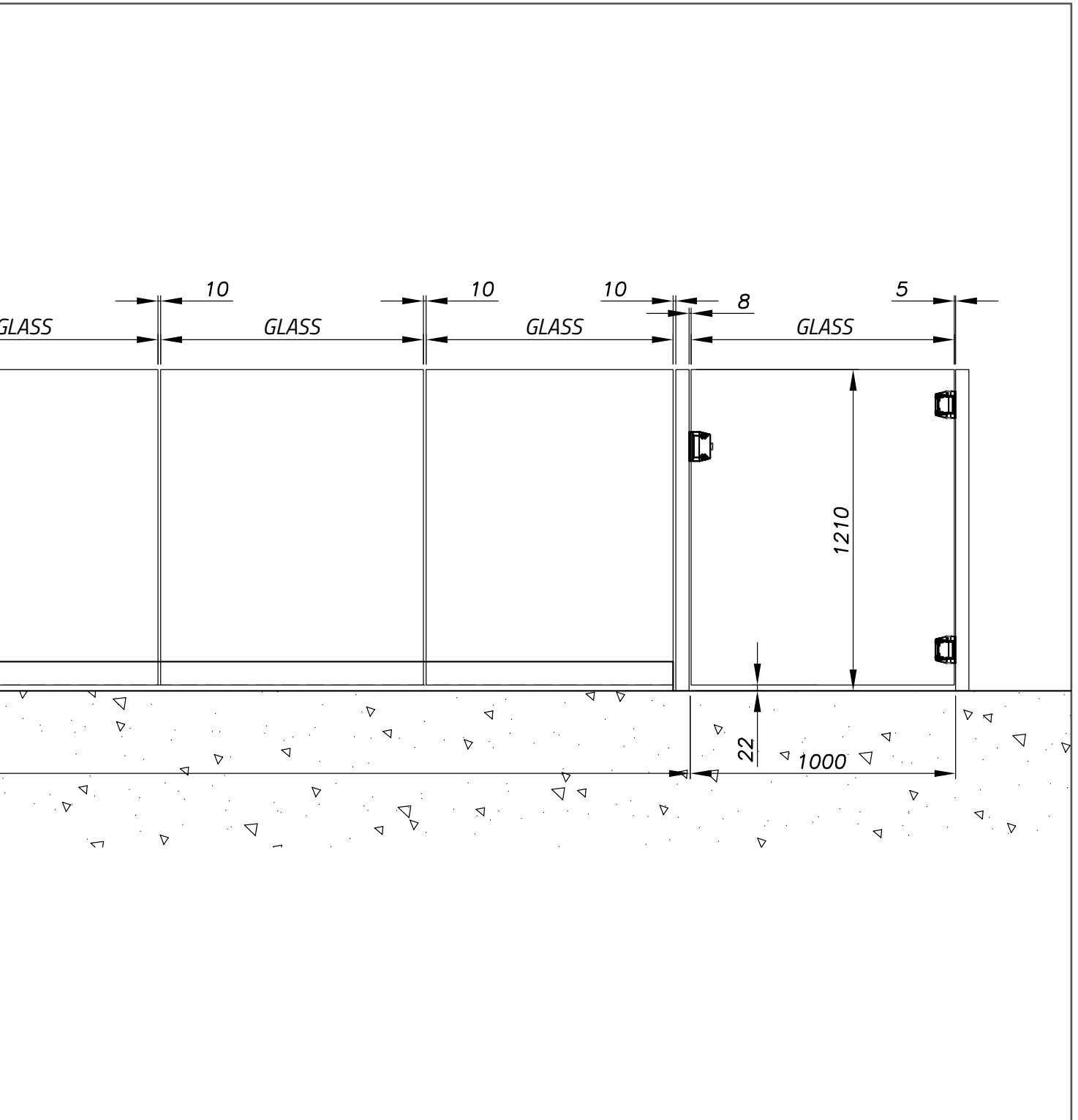




TECHNICAL DRAWINGS

Example of GC Pool layout







## SAFETY ADVICE

This barrier is intended to limit access to the pool to children under the age of five.

No type of protection will ever replace parental supervision and vigilance.

- The pool can be a serious danger for your children. Drowning can happen very quickly. Children near a pool require your constant vigilance and active supervision, even if they can swim;
- This barrier is not a substitute for common sense or individual responsibility. This barrier is not a substitute for common sense or individual responsibility. It is not intended to replace the vigilance of responsible adults, which remains the essential factor for the protection of young children. The means of access must be systematically closed in case of absence, even momentary, from home;
- In case of damage, take all measures to prevent young children from accessing the pool until the barrier or the means of access is repaired when a malfunction is observed or when the barrier is dismantled to prevent the pool from being secured;
- The presence of a parent and/or a responsible adult is essential when the pool is open.



- Learn life-saving skills;
- Memorize and post near the pool the first aid numbers
- Firemen;
- Poison control center.
- Caution! Safety is only guaranteed when the access door is closed and locked;
- Check that there are no objects near the barrier that could encourage or facilitate climbing the barrier;
- The closing of the means of access for self-closing systems must be systematically checked.
- The means of access must be systematically closed in the event of even momentary absence of supervision.

## MAINTENANCE

It is imperative to replace any deteriorated element or set of elements as soon as possible.

Only use parts approved by the supplier/installer.

For the maintenance of our parts, please refer to our Aluminium maintenance manual available on

[sadev.com](https://www.sadev.com) 

## INO AND RAIL ASSEMBLY GUIDE

Available on [sadev.com](https://www.sadev.com) 

**The installation of the protective barrier must respect these instructions, as well as the precautions of use and safety.**



VARIANCE<sup>®</sup> CLASSIC<sup>®</sup> DECOR<sup>®</sup> ICARE<sup>®</sup> CONSTRUCT<sup>®</sup>  
PRIVACY<sup>®</sup> OSF<sup>®</sup> ROMEO<sup>®</sup> SABCO<sup>®</sup>  
SWIMSIDE<sup>®</sup>

Member of the  
**SIMONSWERK  
GROUP**

Tél. +33(0) 4 50 08 39 00 | [info@sadev.com](mailto:info@sadev.com)  
76, chemin des Poses - 74330 Poisy (France)

**sadev.com**  
follow us on

