

THE GLASS BALUSTRADES FOR HOUSING & OFFICES



OPTIMAL

BY ITS **PRICE**

BY ITS COMPACTNESS

BY ITS PERFORMANCE

Its design is minimalist like its price!

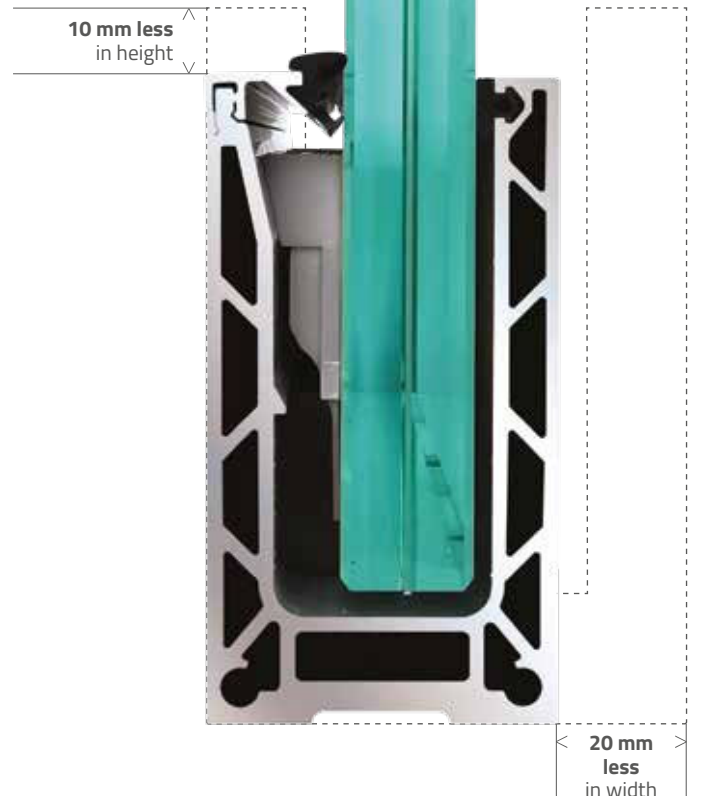
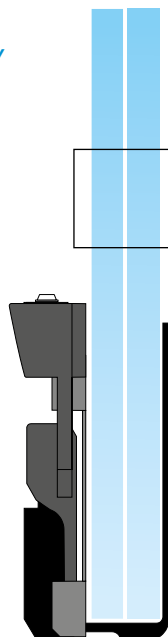
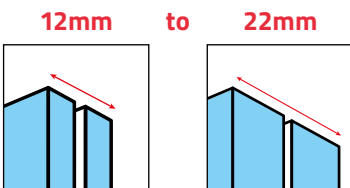
This new **OSF rail** is the narrowest in its category: **55 mm wide**, the most efficient on the market with this compactness. It can be used to create guardrails that meet ERP standards. Glass thicknesses range from **12 to 22 mm**.

For a price defying all competition!

TESTED & APPROVED
✓

WIDE COMPATIBILITY OF GLASS

Glass: **from 12 to 22mm**
Monolithic or laminated



SIMPLE

TO ORDER

TO STORE

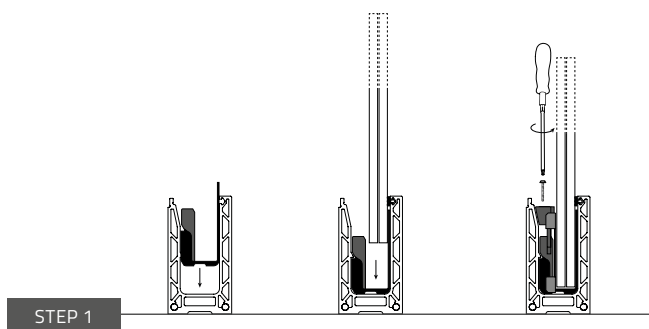
TO INSTALL

Less accessories... **Your order is simplified.**
Its weight and size **optimize its storage.**

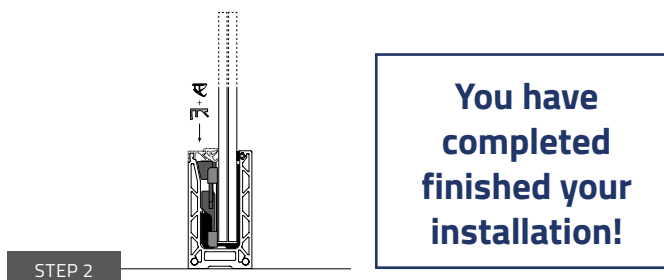
Easy to install from one side only!

Installation is quick and easy in two steps:

- first, you have to put the wedge in position and tighten it, on one side of the glass (ONE SIDE),
- the second and final step is to install the single cover and gasket.



STEP 1



STEP 2



INSTALL, IT'S FIXED!

1 ONE SIDE ONE STEP!



Optimize your installation times even more!
Very fast tightening, on one side only.

2 CLADDING WITH GASKET

Only one cladding to fix



FLEXIBLE

BY ITS TYPES OF MOUNTINGS

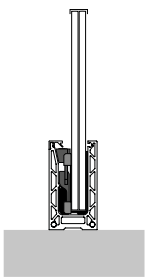
BY ITS SUPPORTS

BY ITS APPLICATIONS

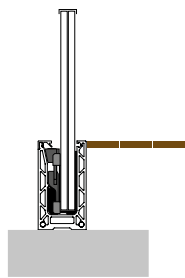
Flexible, it adapts to all situations!

The OSF system can be used in many different installation configurations: **floor, recessed, lateral, inverted lateral, curved, rampant...**

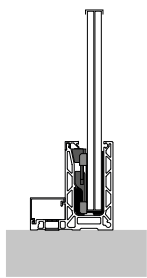
It can be fixed on all structures (concrete, wood, metal), and meets the requirements of private and public applications.



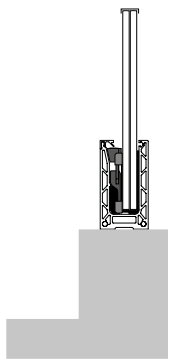
FLOOR MOUNTING



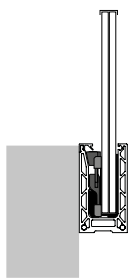
BUILT-IN-SLAB MOUNTING



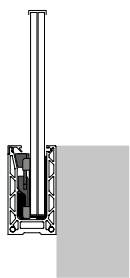
OFFSET FLOOR MOUNTING



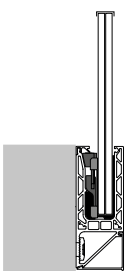
ACROTERION MOUNTING



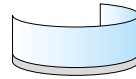
LATERAL MOUNTING



LATERAL INVERTED SIDE MOUNTING

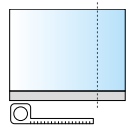


OFFSET LATERAL MOUNTING



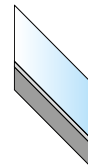
CURVED

Curved railings. Bending is possible from a minimum radius of 1 meter.



TAILOR MADE

The OSF system adapts to corners.

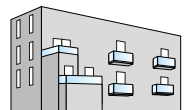


INCLINE

Up to 40° angle to the horizontal.

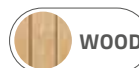


PRIVATE



PUBLIC

Compatible with all structures



OPTIMAL, SIMPLE, FLEXIBLE... AND ECOLOGICAL!



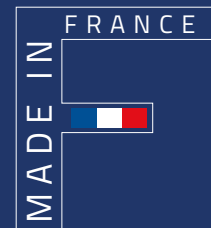
Packaging &
recyclable product

Our wedges are made
with **100% recycled ABS plastic**
(*Acrylonitrile Butadiène Styrène*).

At each end of life of our holds,
this material is recovered and mixed
with virgin ABS to make new products.



Our patented
systems are
made in France.



SUSTAINABLE, a priority

Our products are designed
to be **sustainable**, not only
through **their performance**
but also through the **choice**
of **materials used**.



Form of
Declaration
Environmental and
Sanitary Declaration

FLOOR MOUNTING

PROFILE 0970

GLASS THICKNESS
12.4 > 21.6 mm



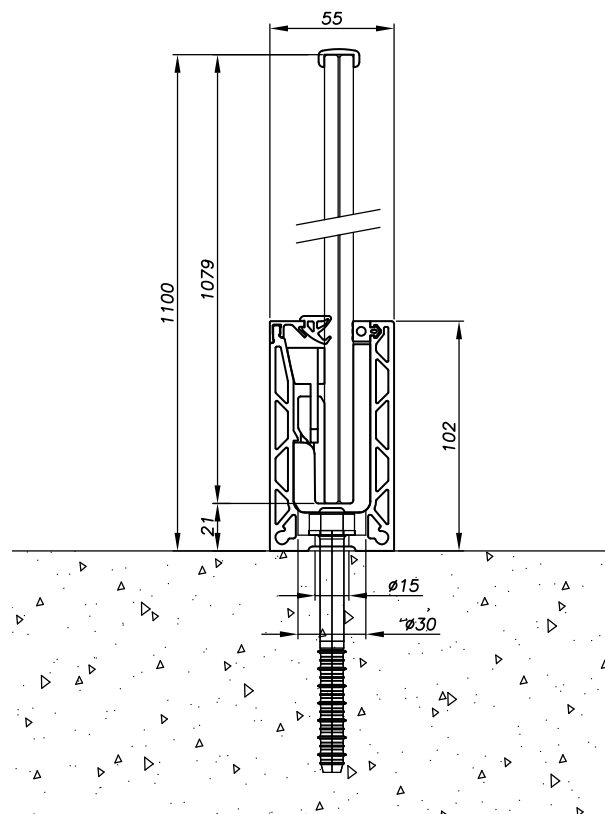
APPLICATION | RESIDENTIAL | PUBLIC |

POSSIBLE FINISHES



TECHNICAL CHARACTERISTICS

Length	3 000 mm (0090SF-R70) 6 000 mm (0090SF-R80)
Width	55 mm
Height of profile	102 mm
Material	Anodized aluminum 20 µm
Type of application	Residential / public
Type of installation	Floor, acroterion
Glass thickness	Laminated. 6.6 (12.4 > 13.9 mm) 8.8 (16.2 > 17.6 mm) 10.10 (21.2 > 21.6 mm)
Height of guardrail	1 100 mm
Profile finish	Anodized aluminum RAL - black
Fixings	Every 300 mm



CERTIFICATIONS



ONE SIDE FIXE WEDGES

Glasses: 6.6

Glass thickness: 12.4 > 13.9
Ref. : 009OSF-K12-0606

Glasses: 8.8

Glass thickness: 16.2 > 17.6
Ref. : 009OSF-K12-0808

Glasses: 10.10

Glass thickness: 21.2 > 21.6
Ref. : 009OSF-K12-1010

CLADDING GASKET

SNAP-FIT



Ref. : 009JC0809A-N



Ref. : 009JC0309A-N



HIGH CLADDING

Ref. : 009OSF-C310
Length: 3 m

Ref. : 009OSF-C610
Length: 6 m



CLADDING GASKET

PRESS-IN

Glasses: 06.06
Ref. : 009JOINT0606

Glasses: 08.08
Ref. : 009JOINT0808

Glasses: 10.10
Ref. : 009JOINT1010



END CAP

Ref. 009OSF-CEC01



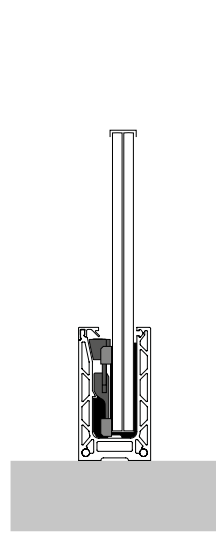
CUSTOMIZE YOUR FINISHES



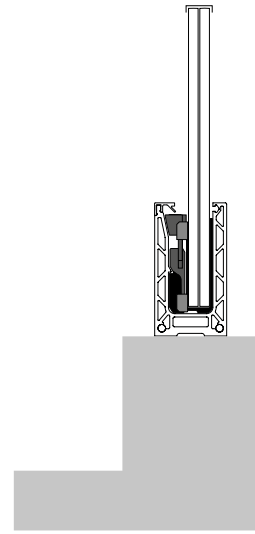
ANODIZED ALUMINUM
Code: 01



RAL
Code: 03



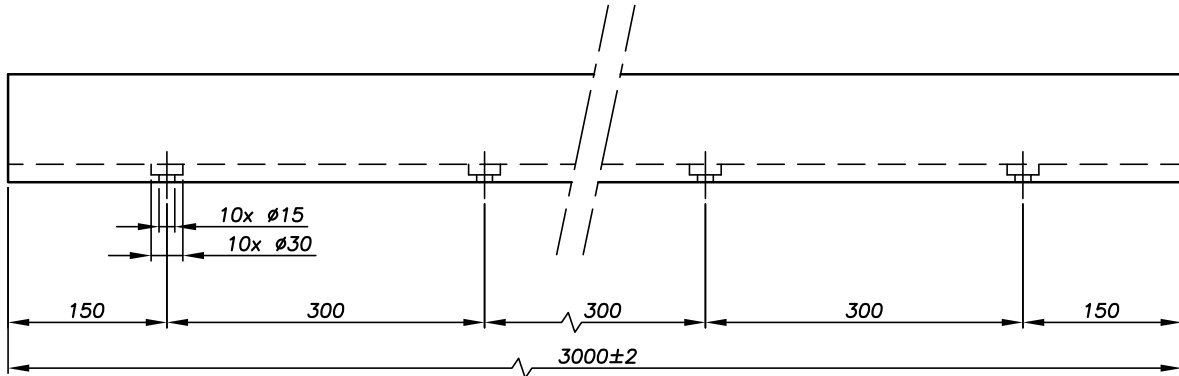
FLOOR MOUNTING



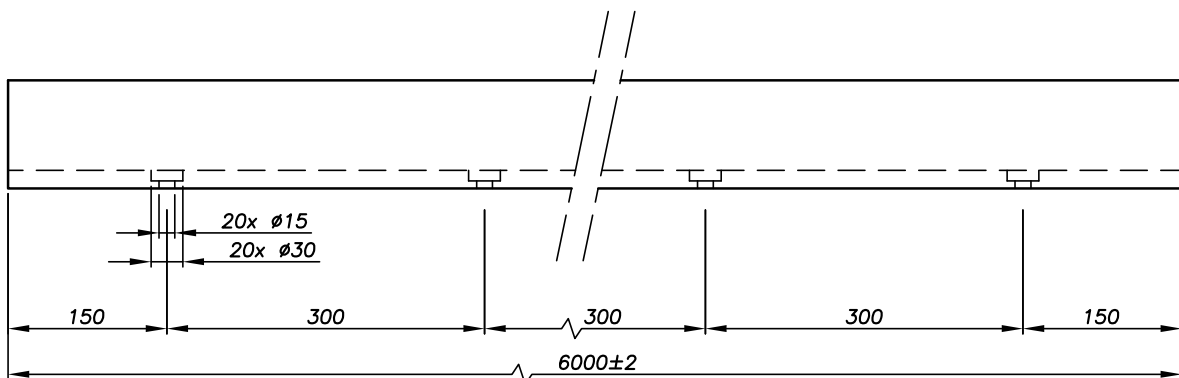
ACROTERION MOUNTING

TECHNICAL PLANS

► 3 000 mm - Reference 0090SF-R70



► 6 000 mm - Reference 0090SF-R80





BUILT-IN-SLAB MOUNTING

PROFILE 0970

GLASS THICKNESS
12.4 > 21.6 mm



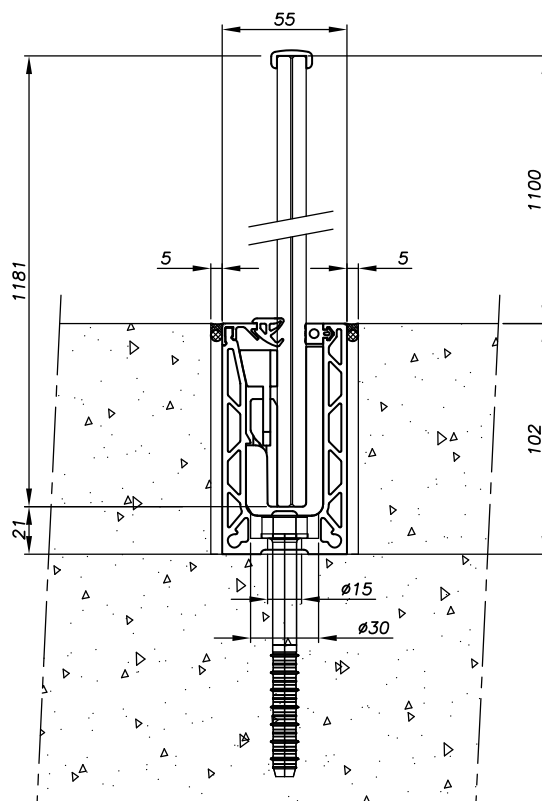
APPLICATION | RESIDENTIAL | PUBLIC |

POSSIBLE FINISHES



TECHNICAL CHARACTERISTICS

Length	3 000 mm (0090SF-R70) 6 000 mm (0090SF-R80)
Width	55 mm
Height of profile	102 mm
Material	Anodized aluminum 20 µm
Type of application	Residential / public
Type of installation	Floor, acroterion
Glass thickness	Laminated. 6.6 (12.4 > 13.9 mm) 8.8 (16.2 > 17.6 mm) 10.10 (21.2 > 21.6 mm)
Height of guardrail	1 100 mm
Profile finish	Anodized aluminum RAL - black
Fixings	Every 300 mm



CERTIFICATIONS



ONE SIDE FIXE WEDGE

Glasses: 6.6

Glass thickness: 12.4 > 13.9
Ref. : 009OSF-K12-0606

Glasses: 8.8

Glass thickness: 16.2 > 17.6
Ref. : 009OSF-K12-0808

Glasses: 10.10

Glass thickness: 21.2 > 21.6
Ref. : 009OSF-K12-1010

CLADDING GASKET

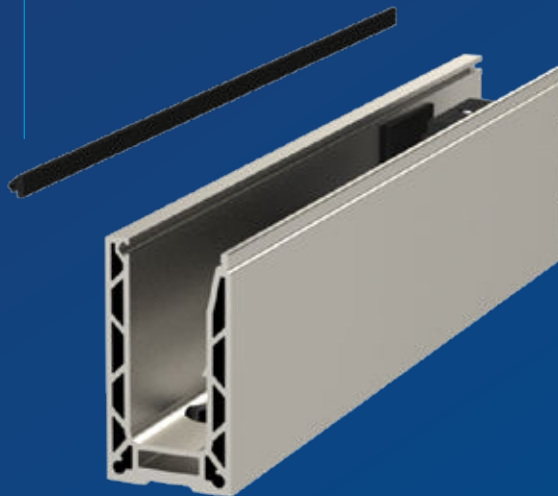
SNAP-FIT



Ref. : 009JC0809A-N



Ref. : 009JC0309A-N



HIGH CLADDING

Ref. : 009OSF-C310
Length: 3 m

Ref. : 009OSF-C610
Length: 6 m



CLADDING GASKET

PRESS-IN

Glasses: 06.06

Ref. : 009JOINT0606

Glasses: 08.08

Ref. : 009JOINT0808

Glasses: 10.10

Ref. : 009JOINT1010



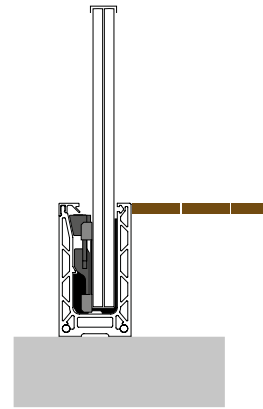
CUSTOMIZE YOUR FINISHES



ANODIZED ALUMINUM
Code: 01



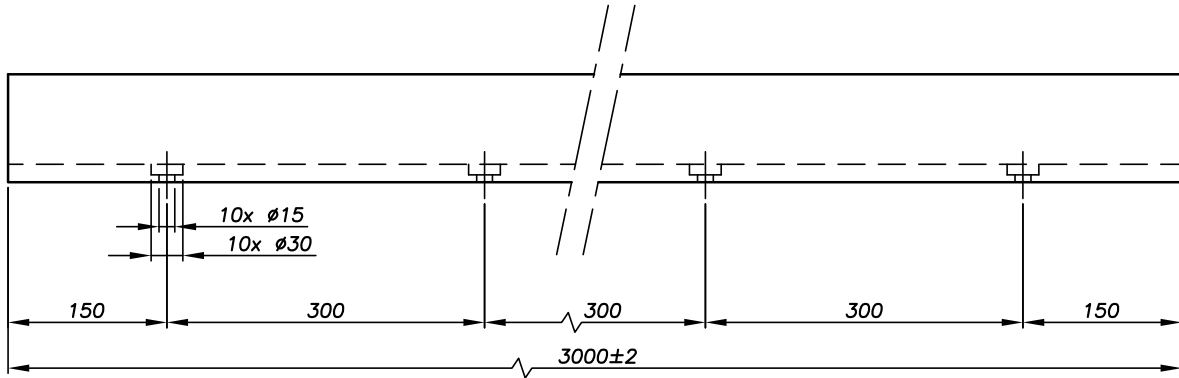
RAL
Code: 03



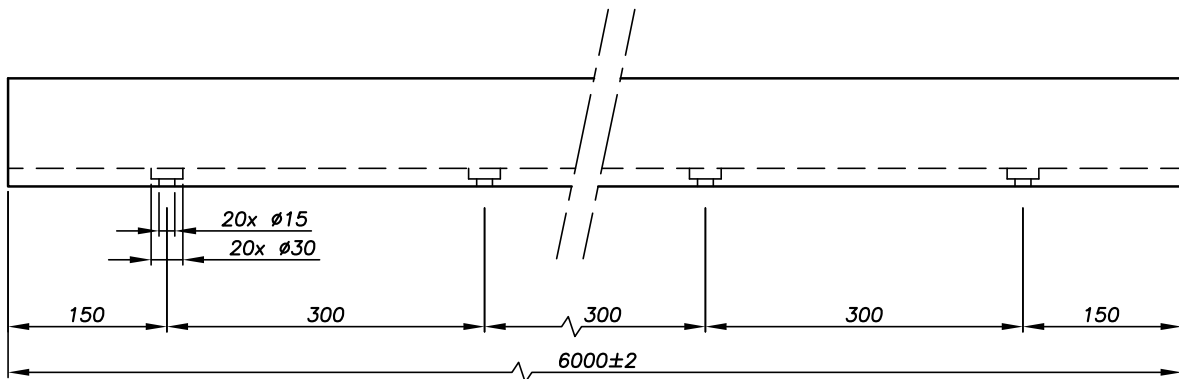
BUILT-IN-SLAB MOUNTING

TECHNICAL PLANS

► 3 000 mm - Reference 0090SF-R70



► 6 000 mm - Reference 0090SF-R80





LATERAL MOUNTING

PROFILE 0971

GLASS THICKNESS
12.4 > 21.6 mm



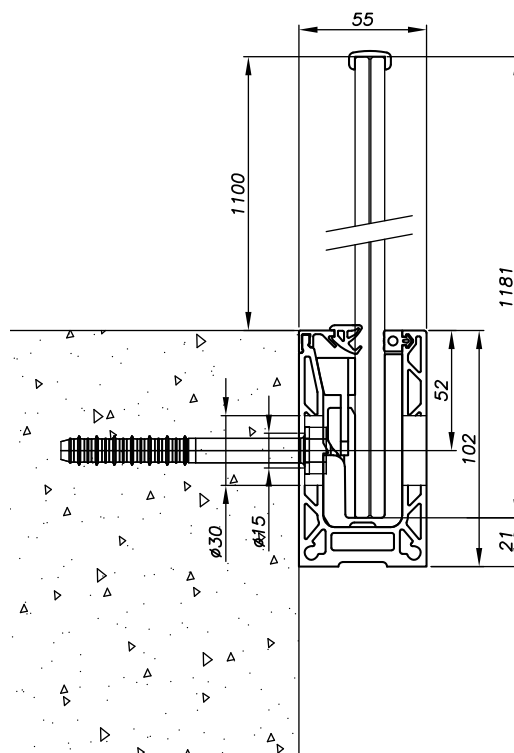
APPLICATION | RESIDENTIAL | PUBLIC |

POSSIBLE FINISHES



TECHNICAL CHARACTERISTICS

Length	3 000 mm (0090SF-R71) 6 000 mm (0090SF-R81)
Width	55 mm
Height of profile	102 mm
Material	Anodized aluminum 20 µm
Type of application	Residential / public
Type of installation	Lateral
Glass thickness	Laminated. 6.6 (12.4 > 13.9 mm) 8.8 (16.2 > 17.6 mm) 10.10 (21.2 > 21.6 mm)
Height of guardrail	1 100 mm
Profile finish	Anodized aluminum RAL - black
Fixings	Every 300 mm



CERTIFICATIONS



ONE SIDE FIXE WEDGE

Glasses: 6.6

Glass thickness: 12.4 > 13.9
Ref. : 0090SF-K12-0606

Glasses: 8.8

Glass thickness: 16.2 > 17.6
Ref. : 0090SF-K12-0808

Glasses: 10.10

Glass thickness: 21.2 > 21.6
Ref. : 0090SF-K12-1010

CLADDING GASKET

SNAP-FIT



Ref. : 009JC0809A-N



Ref. : 009JC0309A-N



HIGH CLADDING

Ref. : 0090SF-C310
Length: 3 m

Ref. : 0090SF-C610
Length: 6 m

CLADDING GASKET

PRESS-IN

Glasses: 06.06

Ref. : 009JOINT0606

Glasses: 08.08

Ref. : 009JOINT0808

Glasses: 10.10

Ref. : 009JOINT1010

HOLE PLUG

Ref. : 007BOU-D30-G
007BOU-D30-N

END CAP

Ref. : 0090SF-CECLD01
0090SF-CECLG01



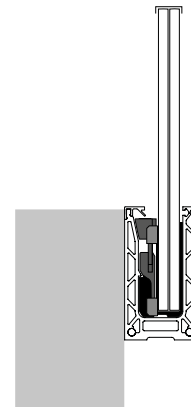
CUSTOMIZE YOUR FINISHES



ANODIZED ALUMINUM
Code: 01



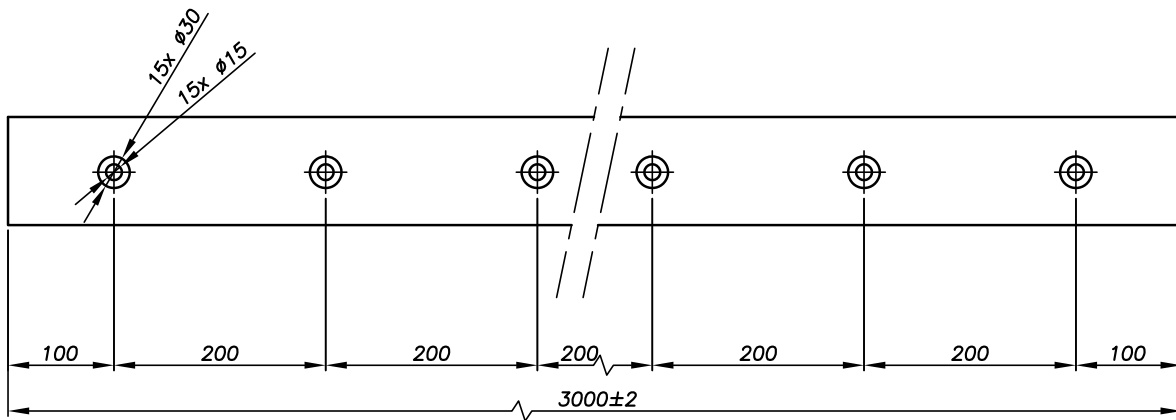
RAL
Code: 03



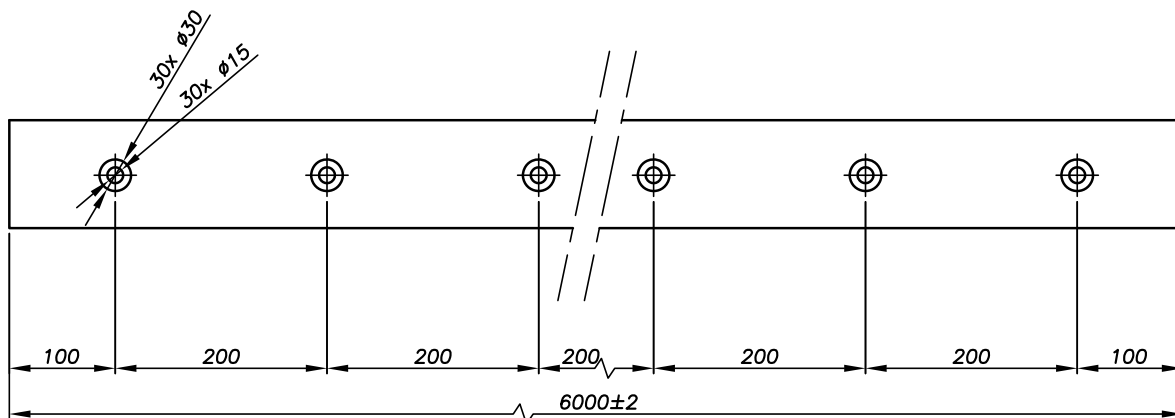
LATERAL MOUNTING

TECHNICAL PLANS

► 3 000 mm - Reference 0090SF-R71



► 6 000 mm - Reference 0090SF-R81





OFFSET FLOOR MOUNTING

PROFILE 0977

GLASS THICKNESS
12.4 > 21.6 mm



APPLICATION | RESIDENTIAL | PUBLIC |

POSSIBLE FINISHES

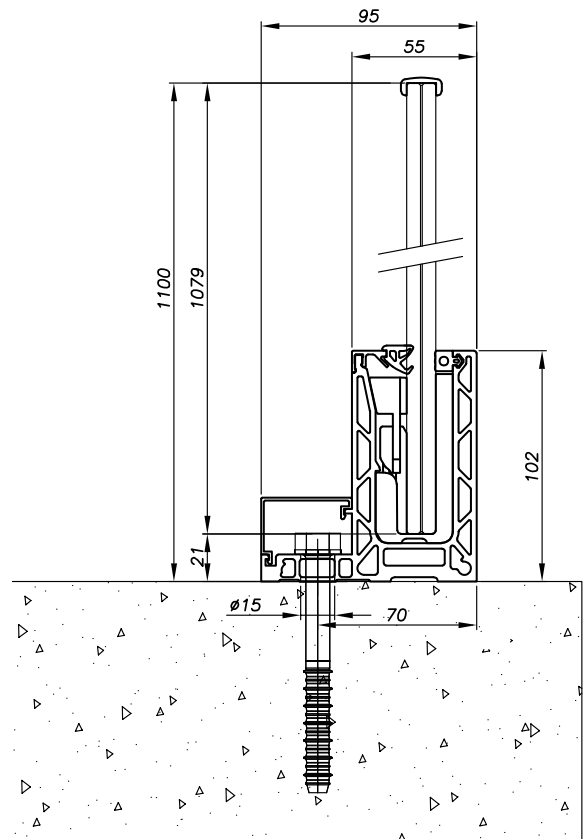


OPTION
with
cladding

TECHNICAL CHARACTERISTICS

Length	3 000 mm (0090SF-R77) 6 000 mm (0090SF-R87)
Width	95 mm
Height of profile	102 mm
Material	Anodized aluminum 20 µm
Type of application	Residential / public
Type of installation	Offset floor
Glass thickness	Laminated. 6.6 (12.4 > 13.9 mm) 8.8 (16.2 > 17.6 mm) 10.10 (21.2 > 21.6 mm)
Height of guardrail	1 100 mm
Profile finish	Anodized aluminum RAL - black
Fixings	Every 300 mm

CERTIFICATIONS



ONE SIDE FIXE WEDGE

Glasses: 6.6

Glass thickness: 12.4 > 13.9
Ref. : 009OSF-K12-0606

Glasses: 8.8

Glass thickness: 16.2 > 17.6
Ref. : 009OSF-K12-0808

Glasses: 10.10

Glass thickness: 21.2 > 21.6
Ref. : 009OSF-K12-1010

CLADDING GASKET

PRESS-IN

Verres. 06.06
Ref. 009JOINT0606

Verres. 08.08
Ref. 009JOINT0808

Verres. 10.10
Ref. 009JOINT1010

SNAP-FIT

Ref. 009JC0809A-N

Ref. 009JC0309A-N

HIGH CLADDING

Ref. : 009OSF-C310
Length: 3 m

Ref. : 009OSF-C610
Length: 6 m

OPTION CLADDING

Ref. 009OSF-C377
Length. 3 m

Ref. 009OSF-C677
Length. 6 m

END CAP

Ref. 009OSF-CE77AD

Ref. 009OSF-CE77AG

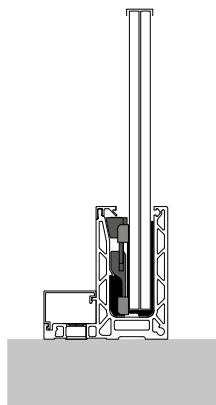
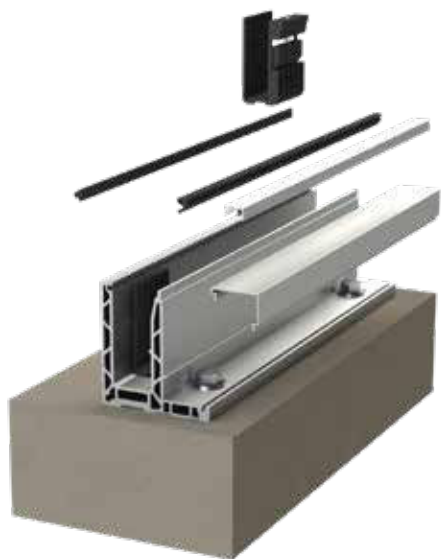
Ref. 009OSF-CE77BD

Ref. 009OSF-CE77BG

CUSTOMIZE YOUR FINISHES

ANODIZED ALUMINUM
Code: 01

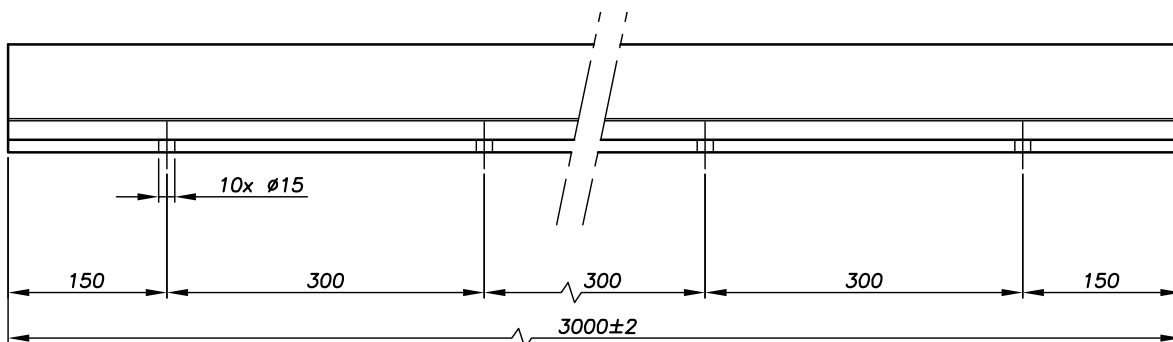
RAL
Code: 03



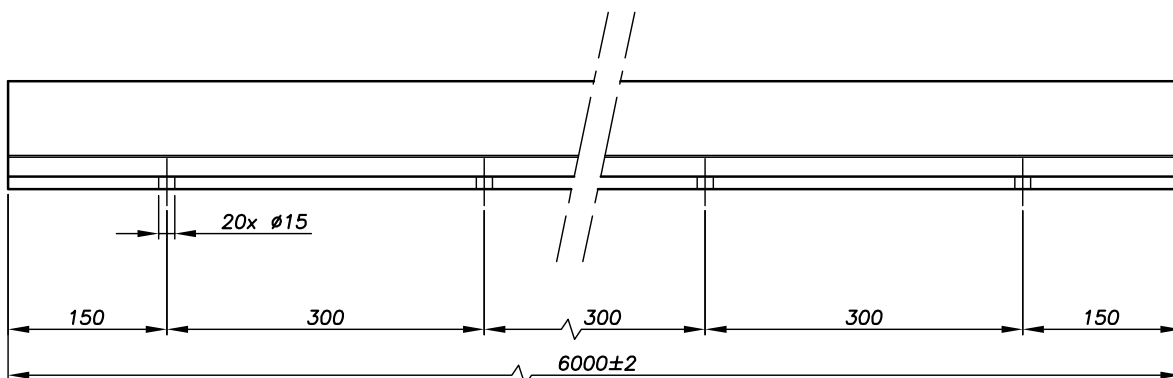
OFFSET FLOOR MOUNTING

TECHNICAL PLANS

► 3 000 mm - Reference 0090SF-R77



► 6 000 mm - Reference 0090SF-R87





OFFSET LATERAL MOUNTING

PROFILE 0973

GLASS THICKNESS
12.4 > 21.6 mm



APPLICATION | RESIDENTIAL | PUBLIC |

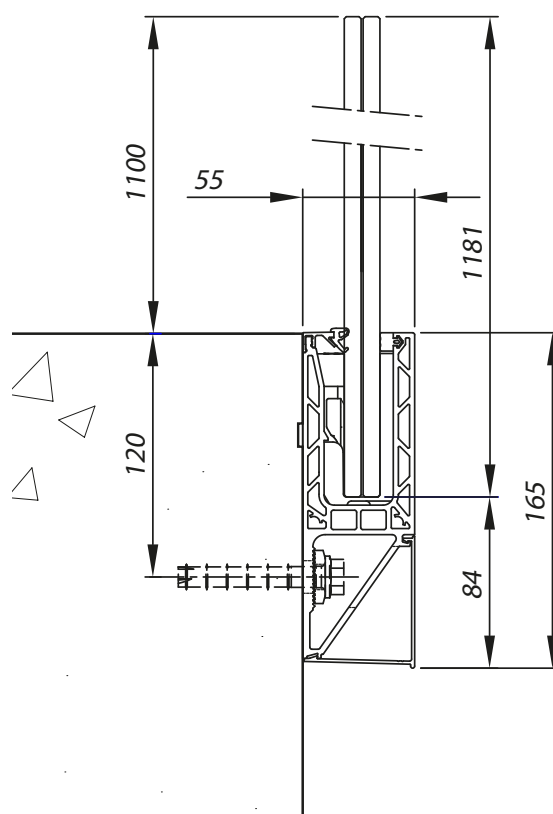
POSSIBLE FINISHES



OPTION
with
cladding

TECHNICAL CHARACTERISTICS

Length	3 000 mm (0090SF-R73) 6 000 mm (0090SF-R83)
Width	55 mm
Height of profile	165mm
Material	Anodized aluminum 20 µm
Type of application	Residential / public
Type of installation	Offset lateral
Glass thickness	Laminated. 6.6 (12.4 > 13.9 mm) 8.8 (16.2 > 17.6 mm) 10.10 (21.2 > 21.6 mm)
Height of guardrail	1 100 mm
Profile finish	Anodized aluminum RAL - black
Fixings	Every 300 mm



CERTIFICATIONS



ONE SIDE FIXE WEDGE

Glasses: 6.6

Glass thickness: 12.4 > 13.9
Ref. : 0090SF-K12-0606

Glasses: 8.8

Glass thickness: 16.2 > 17.6
Ref. : 0090SF-K12-0808

Glasses: 10.10

Glass thickness: 21.2 > 21.6
Ref. : 0090SF-K12-1010

HIGH CLADDING

Ref. : 0090SF-C310
Length: 3 m

Ref. : 0090SF-C610
Length: 6 m

HIGH CLADDING

PRESS-IN

Verres. 06.06

Ref. 009JOINT0606

Verres. 08.08

Ref. 009JOINT0808

Verres. 10.10

Ref. 009JOINT1010

SNAP-FIT

Ref. 009JC0809A-N

Ref. 009JC0309A-N

OPTION CLADDING

Ref. 0090SF-C373
Length. 3 m

Ref. 0090SF-C673
Length. 6 m

END CAP

Ref. 0090SF-CEC73D
Ref. 0090SF-CEC73G

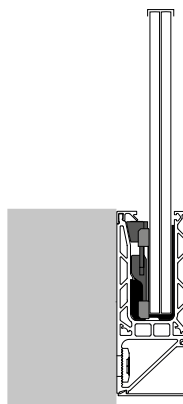
CUSTOMIZE YOUR FINISHES



ANODIZED ALUMINUM
Code: 01



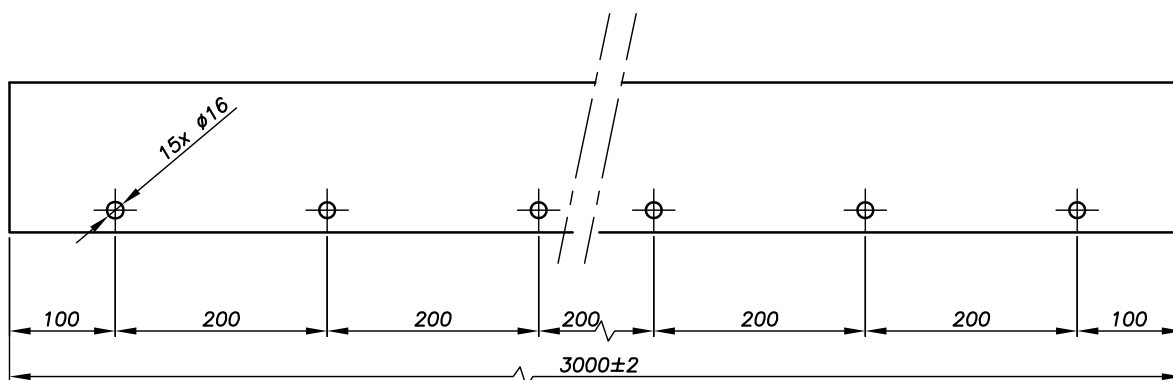
RAL
Code: 03



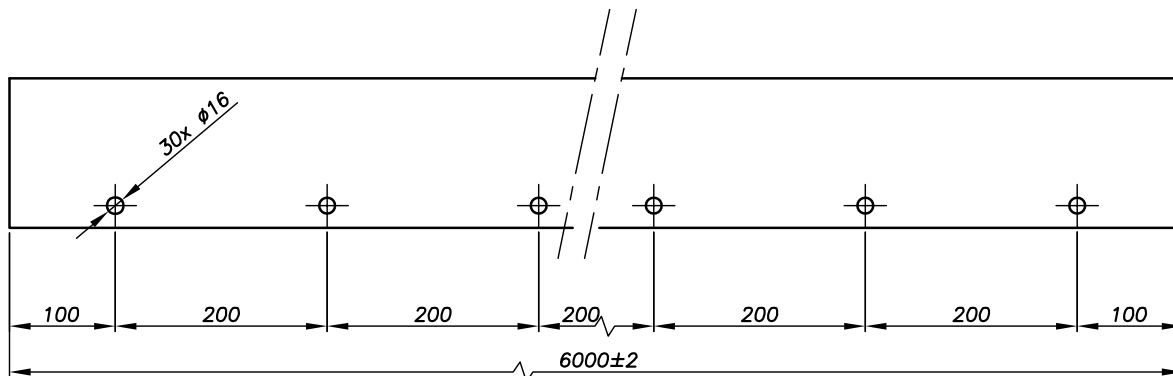
OFFSET LATERAL MOUNTING

TECHNICAL PLANS

► 3 000 mm - Reference 0090SF-R73



► 6 000 mm - Reference 0090SF-R83







HANDRAILS

CHOOSE your style

Maintain an elegant and successful design of your railing by opting for a handrail that will give contrast to your project.

In addition to the aesthetic side, **its primary function is the protection of the top of the glass** which is the most fragile part.

 **Our EXPERT advice:** The installation of an aluminum or stainless steel handrail allows an easy alignment of the glass panels.



GLASS CLAMPED HANDRAIL
Fixing between glasses

Réf. 00101030-1218

ITS ADVANTAGES:

- Allows you to attach a handrail
- Easy to assemble
- Very resistant



CLAMP BETWEEN GLASS

Réf. 009REL5060-12-9/16

 **ASK FOR OUR BROCHURE ON our complete range of handrails.**





WOOD, an authentic choice

An ecological material and natural.

ITS ADVANTAGES:

- Noble and natural material
- Easy change of color (varnish or paint)
- Warm atmosphere

Réf. 0010202410240W10

Other references are available



ALUMINUM, a modern look

The right finish for different project styles.

ITS ADVANTAGES:

- Resistant and durable material.
- More sober effect.
- Very little maintenance (Sadev cleaning kit).

Réf. 0010201308250

Other references are available



STAINLESS STEEL, a contemporary style

Design and refined, stainless steel is recognized for its great durability.

ITS ADVANTAGES:

- Solid.
- Resistant to temperature variations.
- Anti-corrosion.
- Very low maintenance (Sadev cleaning kit).

Réf. 0010201410300A4

Other references are available



FIXINGS

We can provide you with assistance in sizing or justification. Do not hesitate to contact us.
Non-exhaustive list, other fasteners are available upon request.

CONCRETE SCREW

Very high performance for permanent fastening into concrete.



Ref. 09FIX-VBAZ-10

Concrete screw 10x90
 Zinc-plated steel
 50 pieces



Ref. 09FIX-VBAZ-12

Concrete screw 12x110
 Zinc-plated steel
 20 pieces



Ref. 09FIX-VBA4-10

Concrete screw 10x90
 Stainless steel A4
 50 pieces



Ref. 09FIX-VBA4-12

Concrete screw 12x110
 Stainless steel A4
 20 pieces

DOWELS

High performance - Galvanised steel and A4 stainless steel



Ref. 09FIX-CDAZ-10

Socket dowel 10 x 70
 Zinc plated steel
 50 pieces



Ref. 09FIX-CDAZ-12

Sleeve dowel 12 x 90
 Zinc plated steel
 50 pieces



Ref. 09FIX-CDA4-10

Socket dowel 10 x 70
 Stainless steel A4
 50 pieces



Ref. 09FIX-CDA4-12

Socket dowel 12 x 90
 Stainless steel A4
 50 pieces

ANCHOR BOLT

For high demand. Heavy loads can be fixed in cracked concrete.



Ref. 09FIX-GAAZ-10

Anchor bolt 10 x 95
 Galvanised steel
 50 pieces



Ref. 09FIX-GAAZ-12

Anchor bolt 12 x 110
 Galvanised steel
 20 pieces



Ref. 09FIX-GAA4-10

Anchor bolt 10 x 95
 Stainless steel A4
 50 pieces



Ref. 09FIX-GAA4-12

Anchor bolt 12 x 110
 Stainless steel A4
 20 pieces

ACCESSORIES FOR MOUNTING

CHEMICAL SEALANT KIT



Ref. 09FIX-SCAZ-10

Resin cartridge - chemical sealant M10 dowel galvanised steel
Hexagonal head screw M10x30 - Steel Washer Int. Ø10 - Ext. Ø 22 - Ht 02 - Steel



Ref. 09FIX-SCA4-10

Resin cartridge - chemical sealant M10 dowel A4 stainless steel
Hexagon head screw M10x30 - Stainless steel A4 Washer - Int. Ø10 - Ext. Ø 22 - Ht 02 Stainless steel A4

Ref. 09FIX-SCAZ-12

Resin cartridge - chemical sealant M12 dowel galvanised steel
Hexagon head screw M12x30 - Steel Washer - Int. Ø12 - Ext. Ø 27 - Ht 02.5 - Steel

Ref. 09FIX-SCA4-12

Resin cartridge - chemical sealant M12 dowel A4 stainless steel
Hexagon head screw M12x30 - A4 stainless steel Washer - Int. Ø12 - Ext. Ø 27 - Ht 02.5 Stainless steel A4



Ref. 09ACC-FIX-PI-SC

Manual chemical sealant gun



Ref. 09ACC-ECOUV10

Concrete swab - Ø10

Ref. 09ACC-ECOUV12

Concrete swab - Ø10 - Ø12



Ref. 09ACC-SOUF

Blow pump cleaning tool for drilling

Ref. 09ACC-ECOUV16/18

Concrete swab - Ø10
Ø16 - Ø18

SCREWDRIVER & BIT



Ref. 007-TRVS-2NM

Torque screwdriver
(handle + bit)



Ref. 007-TORX-T20/150

Torx bit
Size 25 - Tightening 2 Nm



Violet ring
Tightening 2 Nm

Tempered / hardened glass

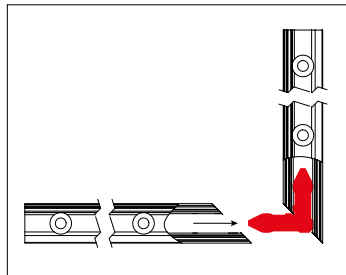
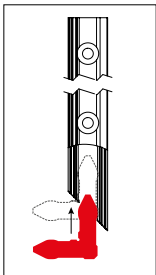
Using the torque screwdriver is required to receive the minimum two year warranty.

CONNECTOR 90°



Ref. 009OSF-CONNEC90

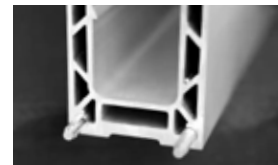
Aluminium
Dimensions. 90 x 90



ALIGNMENT PINS FOR PROFILE



Ref. 007PIN-06-30



Used to align the profiles and ensure the desired performance of the system.

SPACERS



Ref. 009OSF-ESPAC-0606

Glass. 06.06

Ref. 009OSF-ESPAC-0808

Glass. 08.08

Ref. 009OSF-ESPAC-1010

Glass. 10.10



Spacers for use between glass panels - thickness 5 mm - Black plastic
Fixing: to be glued

LEVELING TOOL

This tool allows for easy leveling of the profile.



Ref. 007OUTNIV01-OSF

Sold in pairs



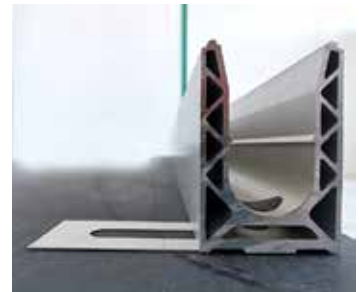
SHIMS

Used to level the profile on uneven surfaces.



Ref. 009SHIM055-10-01

Ref. 009SHIM-K10-10-01



GLASS HEIGHT ADJUSTMENT WEDGE

The adjusting wedge ensures precise alignment of the top edge of the glass.



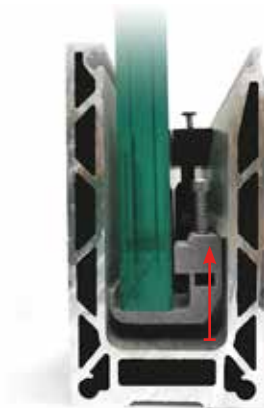
Ref. 009OSF-K10RHT1010

Glass thickness up to 1010
Set of 10 pieces

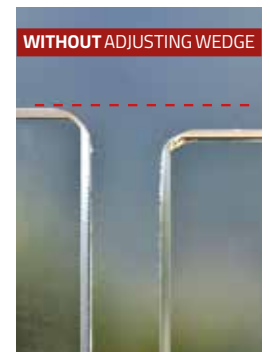
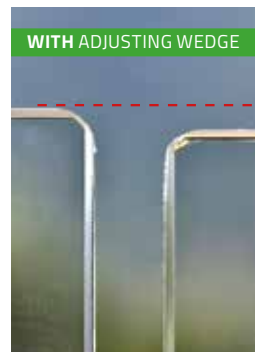


Ref. 009OSF-K10RHT0808

Glass thickness up to 0808
Set of 10 pieces



A PERFECT ALIGNMENT!





VARIANCE[®] CLASSIC[®] DECOR[®] ICARE[®] CONSTRUCT[®]
PRIVACY[®] OSF[®] ROMEO[®] SABCO[®]
SWIMSIDE[®]

Member of the
**SIMONSWERK
GROUP**

Tél. +33(0) 4 50 08 39 00 | info@sadev.com
76, chemin des Poses - 74330 Poisy (France)

sadev.com
follow us on

